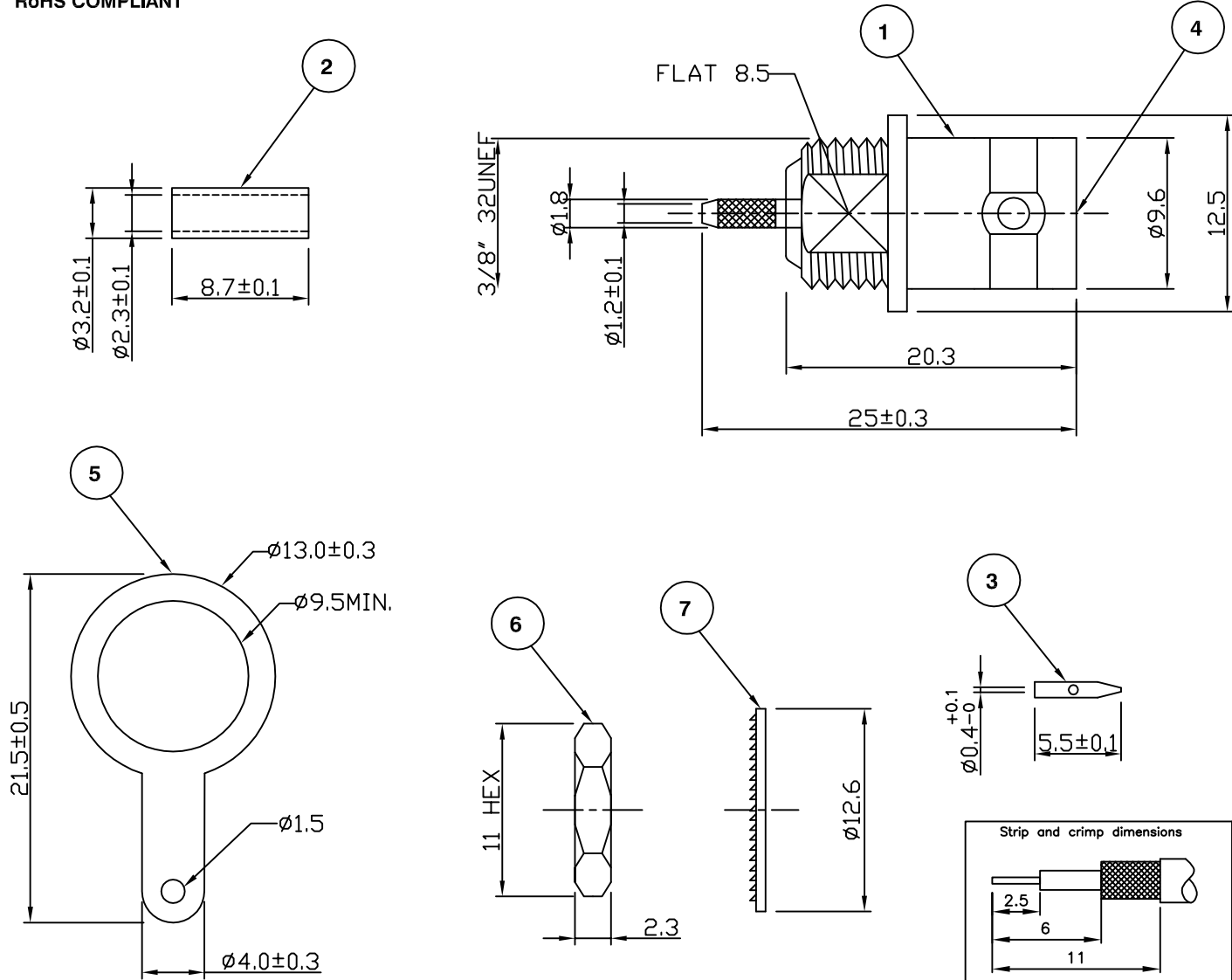


RoHS COMPLIANT



For stripping and assembly instructions see Drawing Number: VAIB6102

**Electrical Characteristics**

Nominal Impedance:	50 ohms
Frequency Range:	DC to 4 GHz
VSWR:	1.3:1 maximum
Insertion Loss:	0.2 dB at 4 GHz
Operating Voltage (rms):	500 V maximum at sea level
Dielectric Withstand Voltage (rms):	1500 V maximum at sea level
Contact Resistance:	1.5 milliohms maximum
Insulation Resistance:	5000 megohms minimum

**Mechanical Characteristics**

Mating Cycles:	500 cycles minimum
Interface Dimensions:	Conform to MIL-C-39012

**Environmental Characteristics**

Temperature Range:	-65 °C to +165 °C
--------------------	-------------------

PART	DESCRIPTION
1	Body Brass, nickel plated 1.78 µm
2	Ferrule Brass, nickel plated 1.78 µm
3	Contact Brass, gold plated 0.076 µm - 0.127 µm
4	Dielectric PTFE
5	Washer Brass, nickel plated 1.78 µm
6	Nut Brass, nickel plated 1.78 µm
7	Washer Steel, nickel plated 1.78 µm

DESCRIPTION OF REVISION	APPVD	ISS	DATE
Dimensional update on Item 5- Washer	JT	6	26 April 10
Strip Dims added	MS	5	21 Aug 09
Udated Dimensions	LB	4	23 June 09
Altered address	KA	3	15 Aug 07
CAD Issue	SN	2	03 May 02
First Issue	PDC	1	19 Oct 00



Cinch Connectivity Solutions  
7-13 Russel Way,  
Widford Industrial Estate,  
Chelmsford, Essex,  
CM1 3AA, UK.  
Tel: +44 (0) 1245 359515  
Fax: +44 (0) 1245 358938

SCALE: Not To Scale

DIMENSIONS: mm

TOLERANCES:  
± 0.2mm unless  
otherwise stated

DRAWN BY:	S Nash
CHECKED BY:	S Nash
APPROVED BY:	P D Couzens
DATE:	03 May 02

TITLE:  
**BNC Crimp Panel Mount Jack  
(front entry) for RG178**

PART NUMBER:  
**VB60-2081**

PAGE: 1 of 1