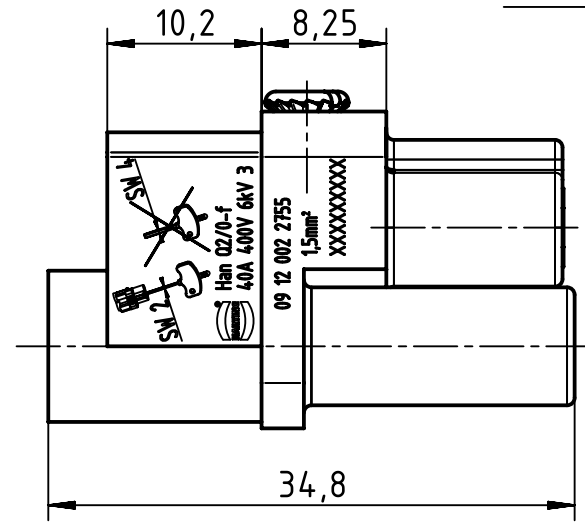
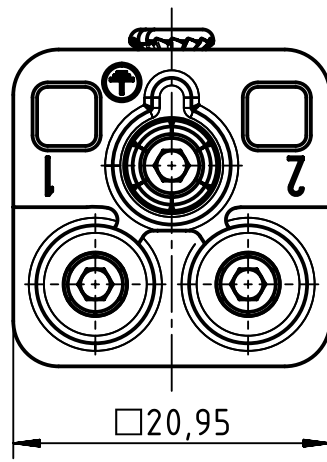


A

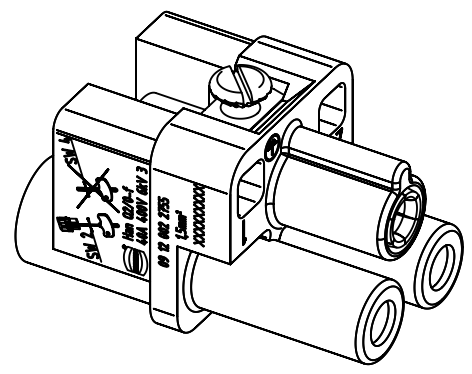
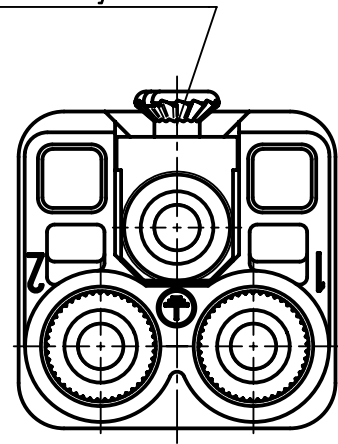
B

C

D



insert fixing screw M3x6 enclosed separately



	All Dimensions in mm Original Size DIN A4	Scale 2:1		Free size tol.		Ref.	
						Sub.	
	All rights reserved Department EL PD - DE	Created by HOLLERT	Inspected by SUNDERMEIER	Standardisation TIEMANNA	Date 2014-07-17	State Final Release	
		Title Han Q2/0-f 1.5sqmm					Doc-Key / ECM-Nr. 100585451/UGD/002/A 500000074358
HARTING Electric GmbH & Co. KG D-32339 Espelkamp		Type TB	Number 09 12 002 2755			Rev. A	Page 1/1