

# MITSUBISHI IGBT MODULES

## CM200RX-12A

HIGH POWER SWITCHING USE

### CM200RX-12A

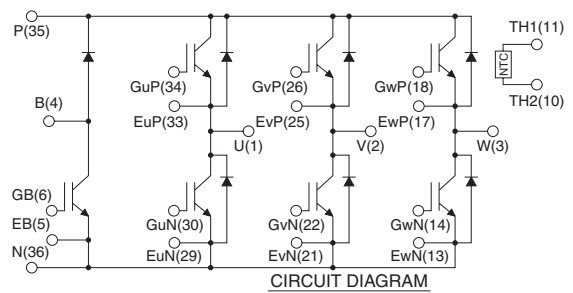
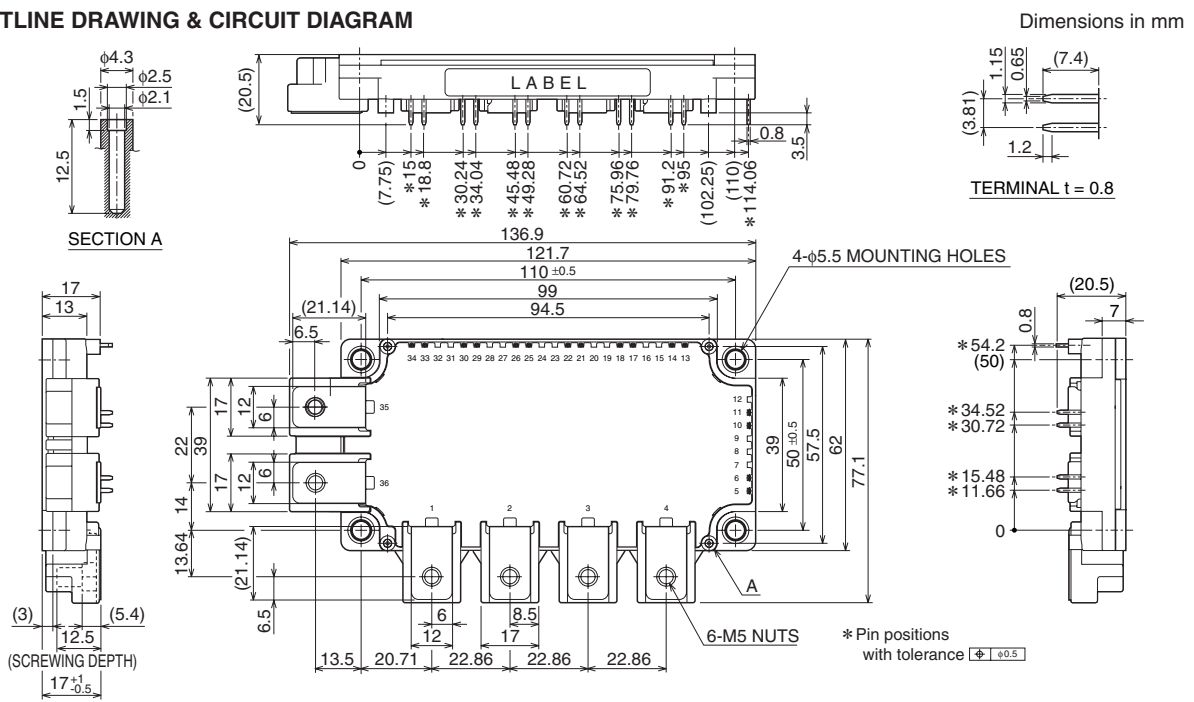


- Ic ..... 200A
- VCES ..... 600V
- 7pack (3-phase Inverter + Brake)
- Flatbase Type / Insulated Package / Copper (non-plating) base plate
- RoHS Directive compliant

### APPLICATION

General purpose Inverters, Servo Amplifiers

### OUTLINE DRAWING & CIRCUIT DIAGRAM



Tolerance otherwise specified

Division of Dimension	Tolerance
0.5 to 3	±0.2
over 3 to 6	±0.3
over 6 to 30	±0.5
over 30 to 120	±0.8
over 120 to 400	±1.2

CM200RX-12A

HIGH POWER SWITCHING USE

**ABSOLUTE MAXIMUM RATINGS** (Tj = 25°C, unless otherwise specified)

**INVERTER PART**

Symbol	Parameter	Conditions	Rating	Unit
VCES	Collector-emitter voltage	G-E Short	600	V
VGES	Gate-emitter voltage	C-E Short	±20	
IC	Collector current	DC, Tc = 68°C (Note. 1)	200	A
ICRM		Pulse (Note. 4)	400	
PC	Maximum collector dissipation	Tc = 25°C (Note. 1, 5)	735	W
IE (Note.3)	Emitter current	Tc = 25°C (Note. 1)	200	A
IERM(Note.3)	(Free wheeling diode forward current)	Pulse (Note. 4)	400	

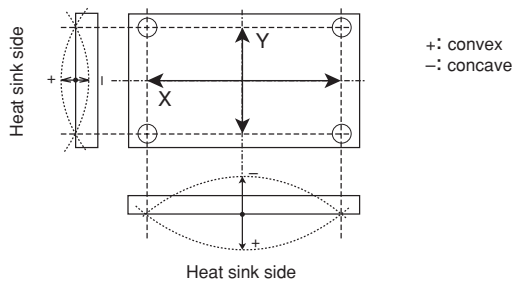
**BRAKE PART**

Symbol	Parameter	Conditions	Rating	Unit
VCES	Collector-emitter voltage	G-E Short	600	V
VGES	Gate-emitter voltage	C-E Short	±20	
IC	Collector current	DC, Tc = 75°C (Note. 1)	100	A
ICRM		Pulse (Note. 4)	200	
PC	Maximum collector dissipation	Tc = 25°C (Note. 1, 5)	400	W
VRRM(Note.3)	Repetitive peak reverse voltage		600	V
IF (Note.3)	Forward current	Tc = 25°C (Note. 1)	100	A
IFRM(Note.3)		Pulse (Note. 4)	200	

**MODULE**

Symbol	Parameter	Conditions	Rating	Unit
Tj	Junction temperature		-40 ~ +150	°C
Tstg	Storage temperature		-40 ~ +125	
Viso	Isolation voltage	Terminals to base plate, f = 60Hz, AC 1 minute	2500	Vrms
—	Base plate flatness	On the centerline X, Y (Note. 8)	±0 ~ +100	μm
—	Torque strength	Main terminals M5 screw	2.5 ~ 3.5	N·m
—	Torque strength	Mounting M5 screw	2.5 ~ 3.5	
—	Weight	(Typical)	330	g

Note. 8: The base plate flatness measurement points are in the following figure.



CM200RX-12A

HIGH POWER SWITCHING USE

ELECTRICAL CHARACTERISTICS (T<sub>J</sub> = 25°C, unless otherwise specified)

INVERTER PART

Symbol	Parameter	Conditions	Limits			Unit	
			Min.	Typ.	Max.		
ICES	Collector cutoff current	VCE = VCES, VGE = 0V	—	—	1	mA	
VGE(th)	Gate-emitter threshold voltage	IC = 20mA, VCE = 10V	5	6	7	V	
IGES	Gate leakage current	±VGE = VGES, VCE = 0V	—	—	0.5	μA	
VCE(sat)	Collector-emitter saturation voltage	IC = 200A, VGE = 15V (Note. 6)	T <sub>J</sub> = 25°C	—	1.7	2.1	V
			T <sub>J</sub> = 125°C	—	1.9	—	
			Chip	—	1.6	—	
Cies	Input capacitance	VCE = 10V VGE = 0V (Note. 6)	—	—	27	nF	
Coes	Output capacitance		—	—	2.7		
Cres	Reverse transfer capacitance		—	—	0.8		
QG	Total gate charge	VCC = 300V, IC = 200A, VGE = 15V	—	530	—	nC	
td(on)	Turn-on delay time	VCC = 300V, IC = 200A	—	—	120	ns	
tr	Turn-on rise time	VGE = ±15V, RG = 5.1Ω	—	—	150		
td(off)	Turn-off delay time	Inductive load	—	—	350		
tf	Turn-off fall time		—	—	600		
trr (Note.3)	Reverse recovery time		—	—	200		
Qrr (Note.3)	Reverse recovery charge	(IE = 200A)	—	5	—	μC	
VEC(Note.3)	Emitter-collector voltage	IE = 200A, VGE = 0V (Note. 6)	T <sub>J</sub> = 25°C	—	2.0	2.8	V
			T <sub>J</sub> = 125°C	—	1.95	—	
			Chip	—	1.9	—	
Rth(j-c)Q	Thermal resistance (Junction to case) (Note. 1)	per IGBT	—	—	0.17	K/W	
Rth(j-c)R		per free wheeling diode	—	—	0.33		
RGint	Internal gate resistance	Tc = 25°C, per switch	—	0	—	Ω	
RG	External gate resistance		3.0	—	31		

BRAKE PART

Symbol	Parameter	Conditions	Limits			Unit	
			Min.	Typ.	Max.		
ICES	Collector cutoff current	VCE = VCES, VGE = 0V	—	—	1	mA	
VGE(th)	Gate-emitter threshold voltage	IC = 10mA, VCE = 10V	5	6	7	V	
IGES	Gate leakage current	±VGE = VGES, VCE = 0V	—	—	0.5	μA	
VCE(sat)	Collector-emitter saturation voltage	IC = 100A, VGE = 15V (Note. 6)	T <sub>J</sub> = 25°C	—	1.7	2.1	V
			T <sub>J</sub> = 125°C	—	1.9	—	
			Chip	—	1.6	—	
Cies	Input capacitance	VCE = 10V VGE = 0V (Note. 6)	—	—	13.3	nF	
Coes	Output capacitance		—	—	1.4		
Cres	Reverse transfer capacitance		—	—	0.45		
QG	Total gate charge	VCC = 300V, IC = 100A, VGE = 15V	—	270	—	nC	
IRRM(Note.3)	Repetitive peak reverse current	VR = VRRM	—	—	1	mA	
VFM(Note.3)	Forward voltage drop	IF = 100A (Note. 6)	T <sub>J</sub> = 25°C	—	2.0	2.8	V
			T <sub>J</sub> = 125°C	—	1.95	—	
			Chip	—	1.9	—	
Rth(j-c)Q	Thermal resistance (Junction to case) (Note. 1)	per IGBT	—	—	0.31	K/W	
Rth(j-c)R		per Clamp diode	—	—	0.59		
RGint	Internal gate resistance	Tc = 25°C	—	0	—	Ω	
RG	External gate resistance		6.0	—	62		

CM200RX-12A

HIGH POWER SWITCHING USE

NTC THERMISTOR PART

Symbol	Parameter	Conditions	Limits			Unit
			Min.	Typ.	Max.	
R	Zero power resistance	Tc = 25°C	4.85	5.00	5.15	kΩ
ΔR/R	Deviation of resistance	Tc = 100°C, R100 = 493Ω	-7.3	—	+7.8	%
B(25/50)	B constant	Approximate by equation (Note. 7)	—	3375	—	K
P25	Power dissipation	Tc = 25°C	—	—	10	mW

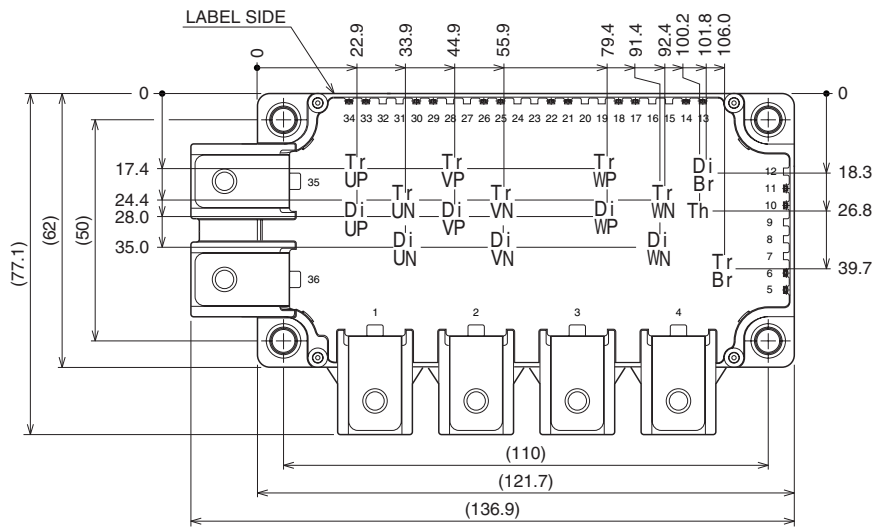
MODULE

Symbol	Parameter	Conditions	Limits			Unit
			Min.	Typ.	Max.	
R <sub>th(c-f)</sub>	Contact thermal resistance (Case to fin) (Note. 1)	Thermal grease applied per 1 module (Note. 2)	—	0.015	—	K/W

- Note. 1: Case temperature (T<sub>C</sub>), heat sink temperature (T<sub>T</sub>) measured point is just under the chips. (Refer to the figure of the chip location.)  
 2: Typical value is measured by using thermally conductive grease of λ = 0.9W/(m·K).  
 3: I<sub>E</sub>, I<sub>ERM</sub>, V<sub>EC</sub>, t<sub>rr</sub> and Q<sub>rr</sub> represent ratings and characteristics of the anti-parallel, emitter-collector free wheeling diode (FWDi). I<sub>F</sub>, I<sub>FRM</sub>, V<sub>F</sub>, V<sub>RRM</sub> and I<sub>RRM</sub> represent ratings and characteristics of the Clamp diode of Brake part.  
 4: Pulse width and repetition rate should be such that the device junction temperature (T<sub>J</sub>) dose not exceed T<sub>Jmax</sub> rating.  
 5: Junction temperature (T<sub>J</sub>) should not increase beyond 150°C.  
 6: Pulse width and repetition rate should be such as to cause negligible temperature rise. (Refer to the figure of the test circuit for V<sub>CE(sat)</sub> and V<sub>EC</sub>)  
 7:  $B(25/50) = \ln(\frac{R_{25}}{R_{50}}) / (\frac{1}{T_{25}} - \frac{1}{T_{50}})$   
 R<sub>25</sub>: resistance at absolute temperature T<sub>25</sub> [K]; T<sub>25</sub> = 25 [°C]+273.15 = 298.15 [K]  
 R<sub>50</sub>: resistance at absolute temperature T<sub>50</sub> [K]; T<sub>50</sub> = 50 [°C]+273.15 = 323.15 [K]

Chip Location (Top view)

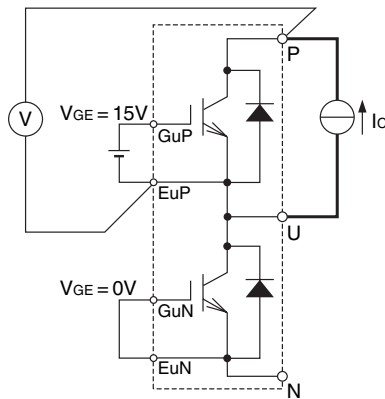
Dimensions in mm (tolerance: ±1mm)



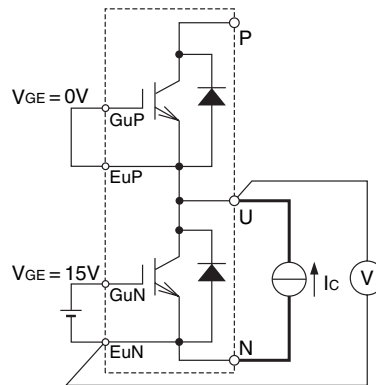
Each mark points the center position of each chip. Tr\*\*: IGBT, Di\*\*: FWDi (DiBr: Clamp diode), Th: NTC thermistor

CM200RX-12A

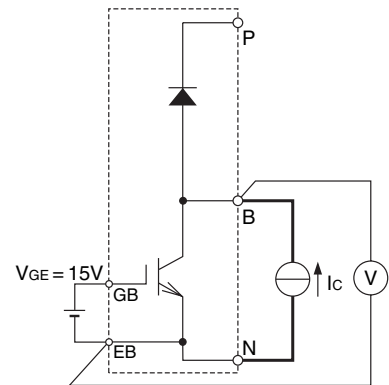
HIGH POWER SWITCHING USE



P side Inverter part Tr  
(example of U arm)  
 $V_{GE} = 0V(GvP-EvP, GwP-EwP, GvN-EvN, GwN-EwN, GB-EB)$

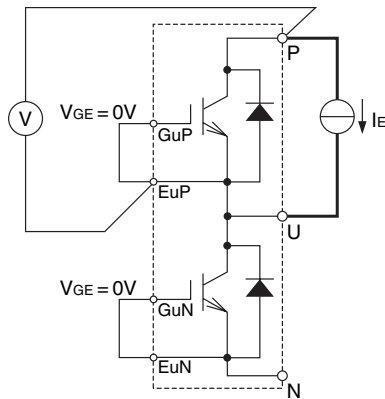


N side Inverter part Tr  
(example of U arm)  
 $V_{GE} = 0V(GvP-EvP, GwP-EwP, GvN-EvN, GwN-EwN, GB-EB)$

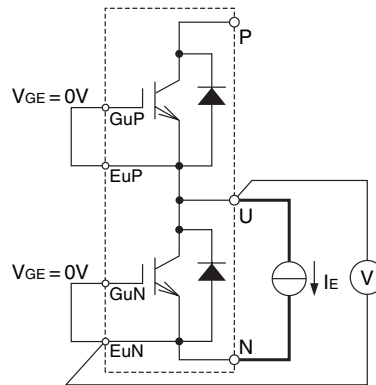


Br Tr  
 $V_{GE} = 0V(GuP-EuP, GvP-EvP, GwP-EwP, GuN-EuN, GvN-EvN, GwN-EwN)$

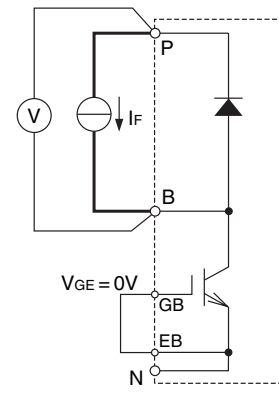
VCE(sat) test circuit



P side Inverter part Di  
(example of U arm)  
 $V_{GE} = 0V(GvP-EvP, GwP-EwP, GvN-EvN, GwN-EwN, GB-EB)$

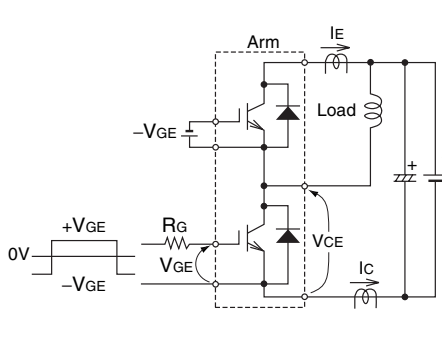


N side Inverter part Di  
(example of U arm)  
 $V_{GE} = 0V(GvP-EvP, GwP-EwP, GvN-EvN, GwN-EwN, GB-EB)$

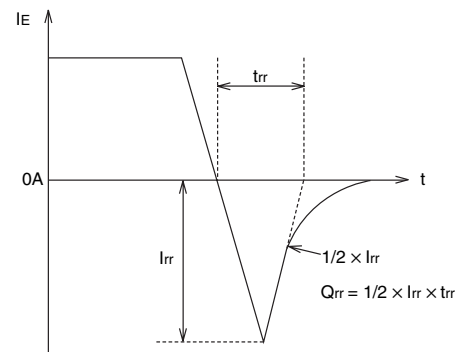
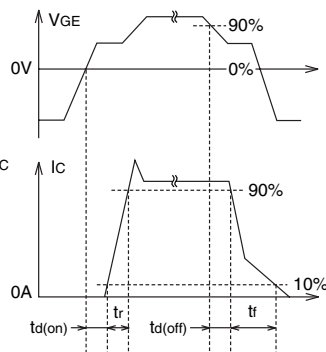


Br Di  
 $V_{GE} = 0V(GuP-EuP, GvP-EvP, GwP-EwP, GuN-EuN, GvN-EvN, GwN-EwN)$

VEC/VFM test circuit



Switching time test circuit and waveforms

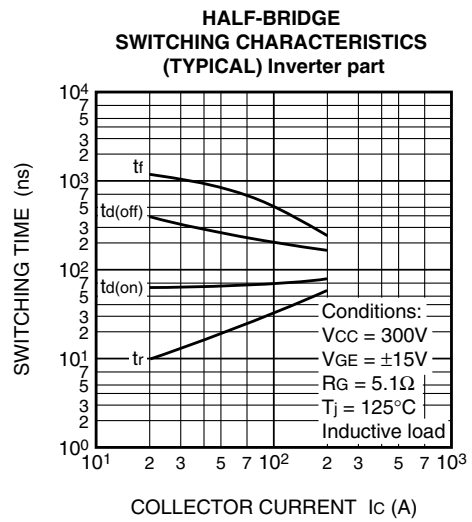
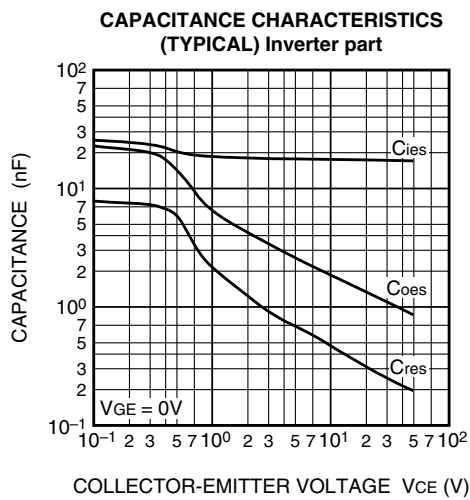
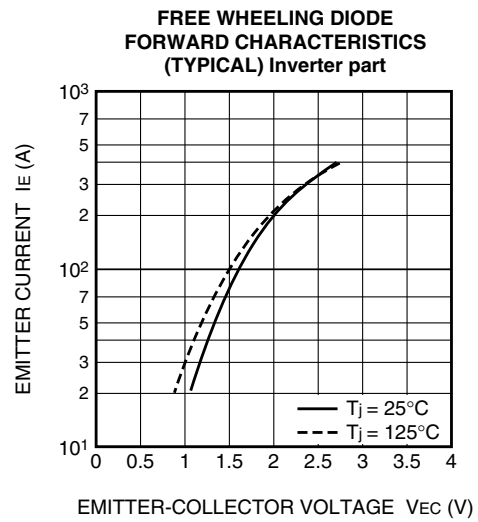
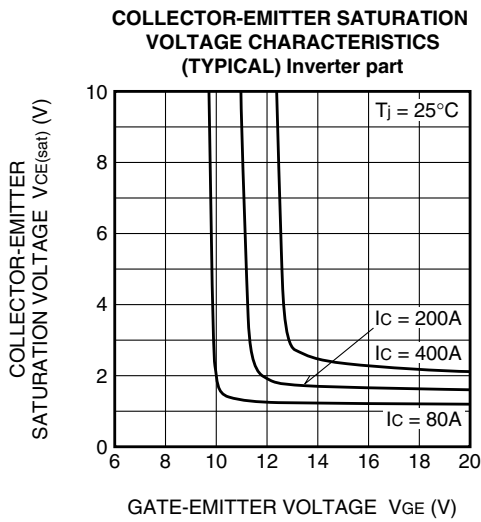
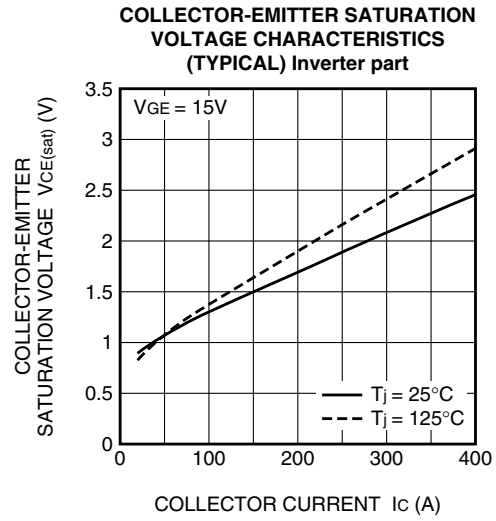
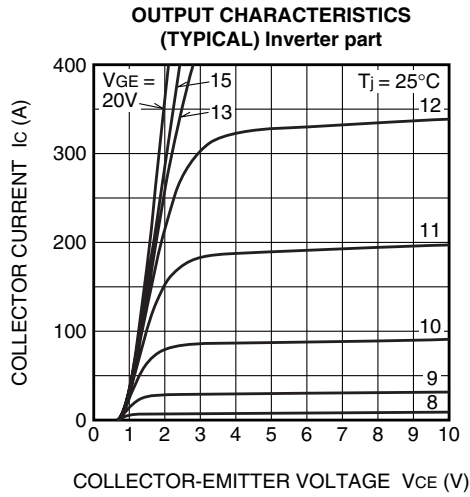


$t_{rr}$ ,  $Q_{rr}$  test waveform

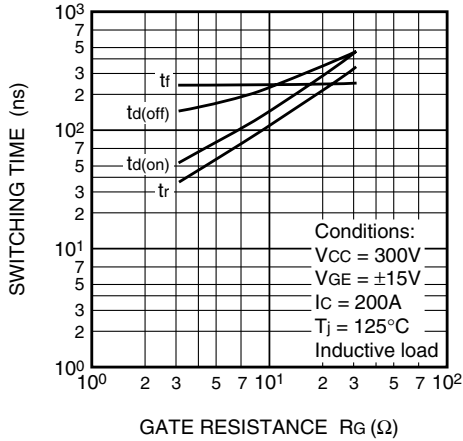
# CM200RX-12A

HIGH POWER SWITCHING USE

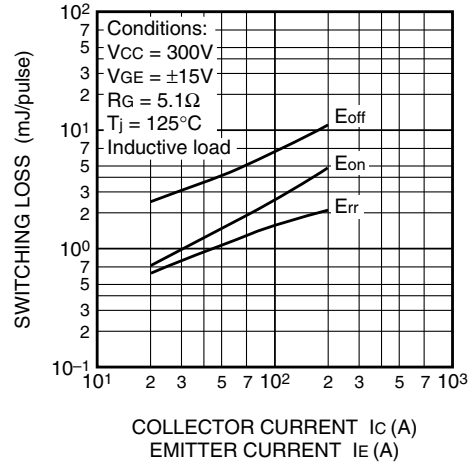
## PERFORMANCE CURVES



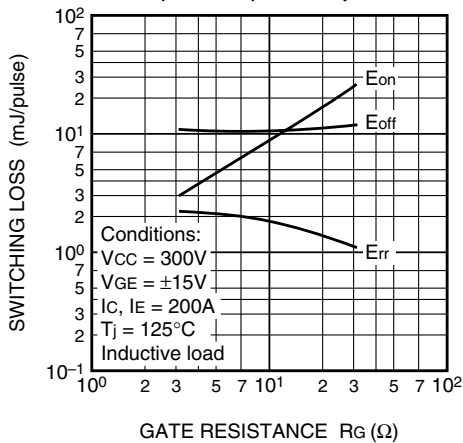
**HALF-BRIDGE SWITCHING CHARACTERISTICS (TYPICAL) Inverter part**



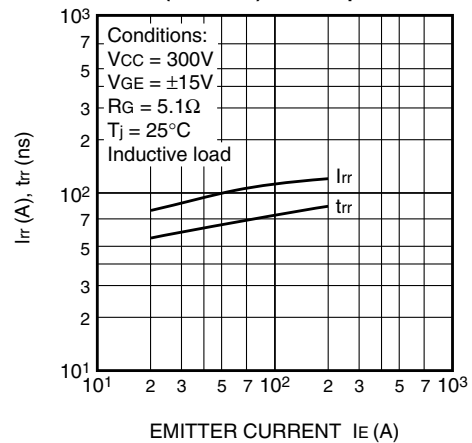
**HALF-BRIDGE SWITCHING CHARACTERISTICS (TYPICAL) Inverter part**



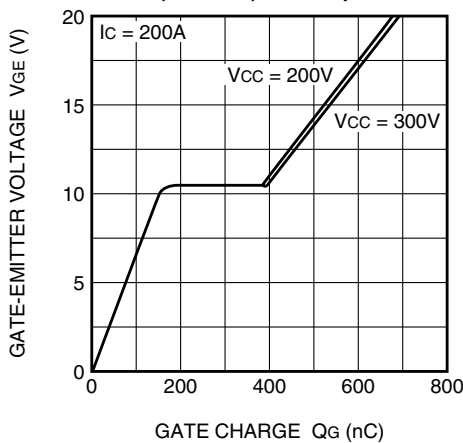
**HALF-BRIDGE SWITCHING CHARACTERISTICS (TYPICAL) Inverter part**



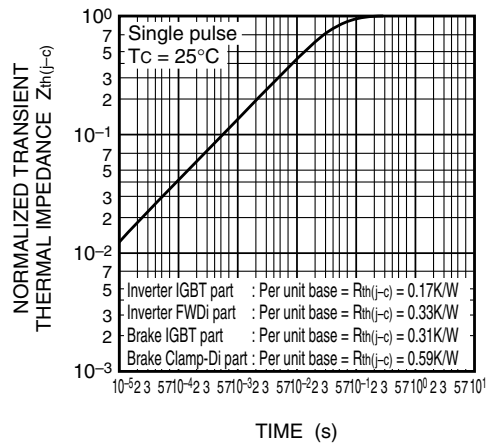
**REVERSE RECOVERY CHARACTERISTICS OF FREE WHEELING DIODE (TYPICAL) Inverter part**



**GATE CHARGE CHARACTERISTICS (TYPICAL) Inverter part**



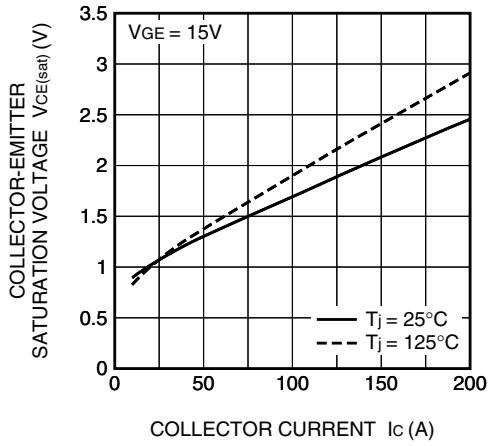
**TRANSIENT THERMAL IMPEDANCE CHARACTERISTICS**



CM200RX-12A

HIGH POWER SWITCHING USE

COLLECTOR-EMITTER SATURATION VOLTAGE CHARACTERISTICS (TYPICAL) Brake part



CLAMP DIODE FORWARD CHARACTERISTICS (TYPICAL) Brake part

