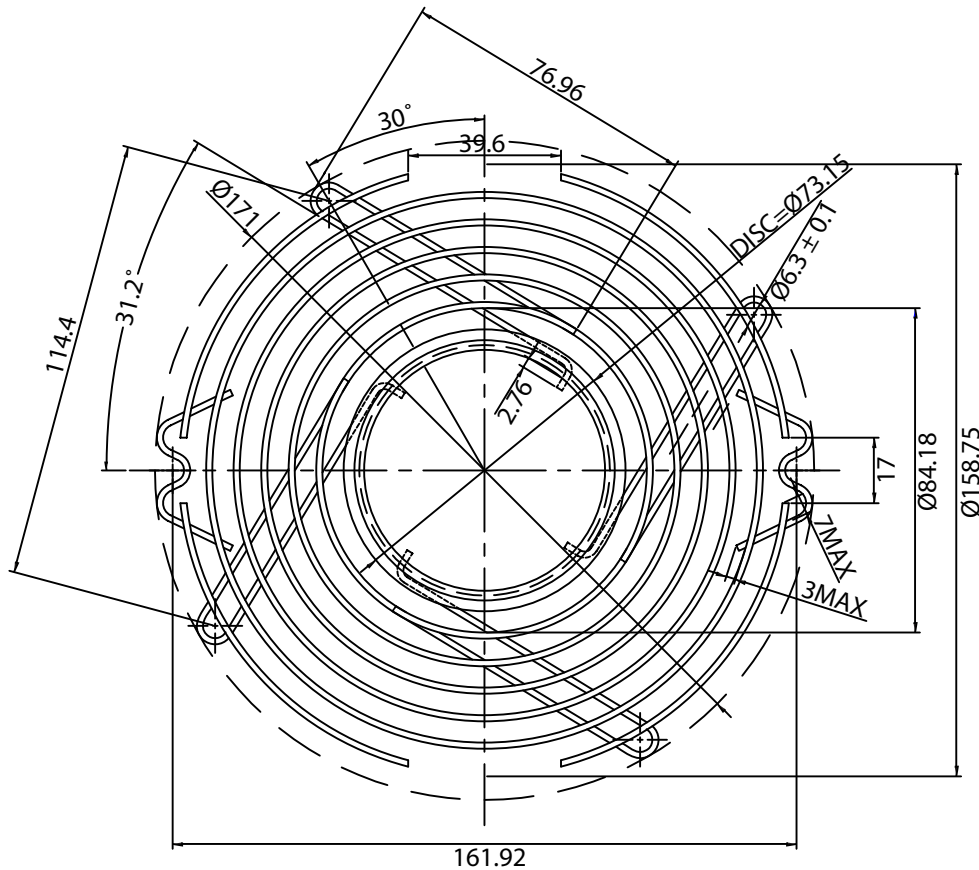


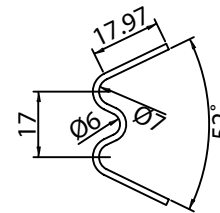
THESE DRAWINGS ARE THE PROPERTY OF QUALTEK ELECTRONICS AND NOT TO BE REPRODUCED FOR OR COMMUNICATED TO A THIRD PARTY WITHOUT THE EXPRESS WRITTEN PERMISSION OF AN OFFICER OF QUALTEK ELECTRONICS.

| REVISION | | | |
|----------|------------------------|----------|----------|
| REV. | DESCRIPTION | DATE | APPROVED |
| B | RoHS Compliancy | 06-01-06 | DP |
| C | Updated Specifications | 07-29-08 | DP |

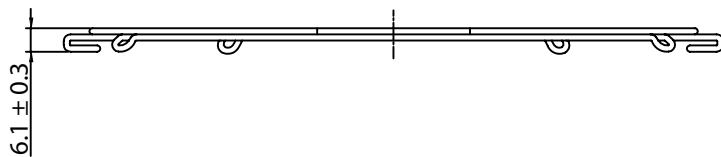


NOTES:

1. MATERIAL: C1008 STEEL WIRE
2. FINISH: ZINC PLATING
3. 0.35 ± 0.05 DEPTH OF SERRATIONS ON WIRE
4. RING: $\varnothing 1.6 \pm 0.1$ mm
RIB: $\varnothing 1.6 \pm 0.1$ mm
DISC= 73.15 T= 0.8
5. GENERAL TOLERANCE UNLESS NOTED IS ± 0.5 mm
6. RoHS COMPLIANT



CONTROLLED



| Dim range (mm) | | Tolerance +/- (mm) | Qualtek Electronics Corp. FAN-S DIVISION | | |
|----------------|------|---|---|--|--|
| 0-5 | 0.1 | Part Number: 08151-01 RoHS Compliant | Description: WIRE FORM FAN GUARD (150mm) | | |
| 5-16 | 0.15 | | UNIT: mm REV: C | | |
| 16-64 | 0.2 | | Drawn / Date: B. ZHANG 07-16-98 | | |
| 64-250 | 0.4 | | Checked / Date: 07-16-98 | | |
| 250-1000 | 0.5 | | Approved / Date: JJH / 07-16-98 | | |
| 1000-1500 | 1.0 | | | | |