

NOTES:

1.0 MATERIAL:

- 1.1 HOUSING: STAINLESS STEEL PER ASTM-A-582 TYPE 303.
- 1.2 CENTER CONTACT: BERYLLIUM COPPER ROD ALLOY C172, ASTM-B196.
- 1.3 DIELECTRIC: PTFE FLUOROCARBON PER ASTM-D1457.

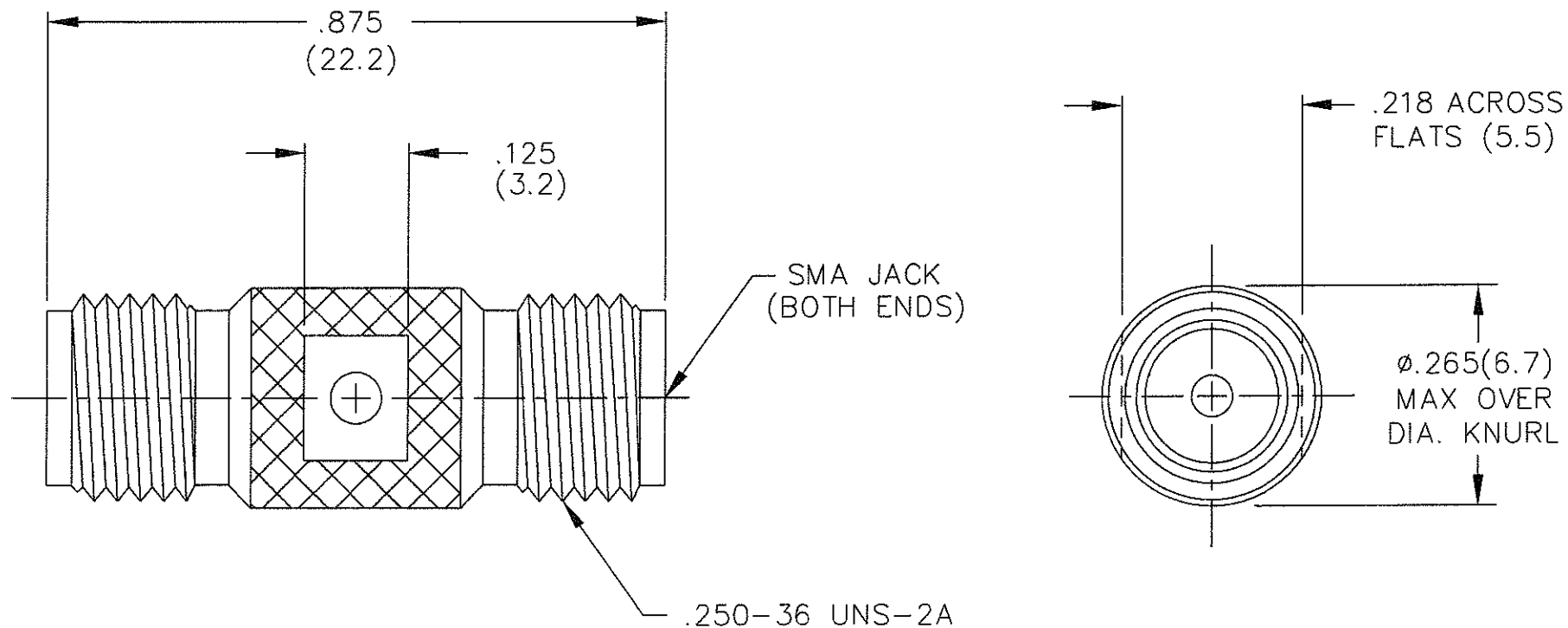
2.0 PLATING:

- 2.1 CENTER CONTACT: GOLD PER MIL-G-45204 TYPE II, CLASS 2.

3.0 MECHANICAL:

- 3.1 INTERFACE PER MIL-STD-348 IN ACCORDANCE WITH MIL-A-55339.
- 3.2 CENTER CONTACT CAPTURED IN ACCORDANCE WITH MIL-A-55339.

4.0 DIMENSIONS IN PARENTHESIS ARE MILLIMETERS.



MODEL NUMBER
ADT-2841-FF-SMA-02
REV.
-1

DATE	1/31/97
DESCRIPTION	RELEASED
ADDED TITLEBLOCK	3/17/05
REV.	-1

UNLESS OTHERWISE NOTED DIMENSIONS ARE IN INCHES AND TOLERANCES ARE: 3 PLACE DECIMALS ±.005 2 PLACE DECIMALS ±.02 FRACTIONS ±1/64 PARALLELITY: T.I.R. _____ FLATNESS: T.I.R. _____ CONCENTRICITY: T.I.R. _____ ANGLES AND PERPENDICULARITY: ±1°	FSCM NO. 34078	MIDWEST MICROWAVE	
	NOTICE: The information contained in this drawing is proprietary and must not be used without the permission of Midwest Microwave	TITLE ADAPTER SAM JACK to SMA JACK	
DRAWN/DATE L. BROWN 1/24/97	ENG./DATE G. KOZAK 1/30/97	DRAWING NUMBER ADT-2841-FF-SMA-02	
CHECKED/DATE J. VERNON 1/27/97	APPROVED/DATE	SCALE: 5=1	SHEET 1 of 1