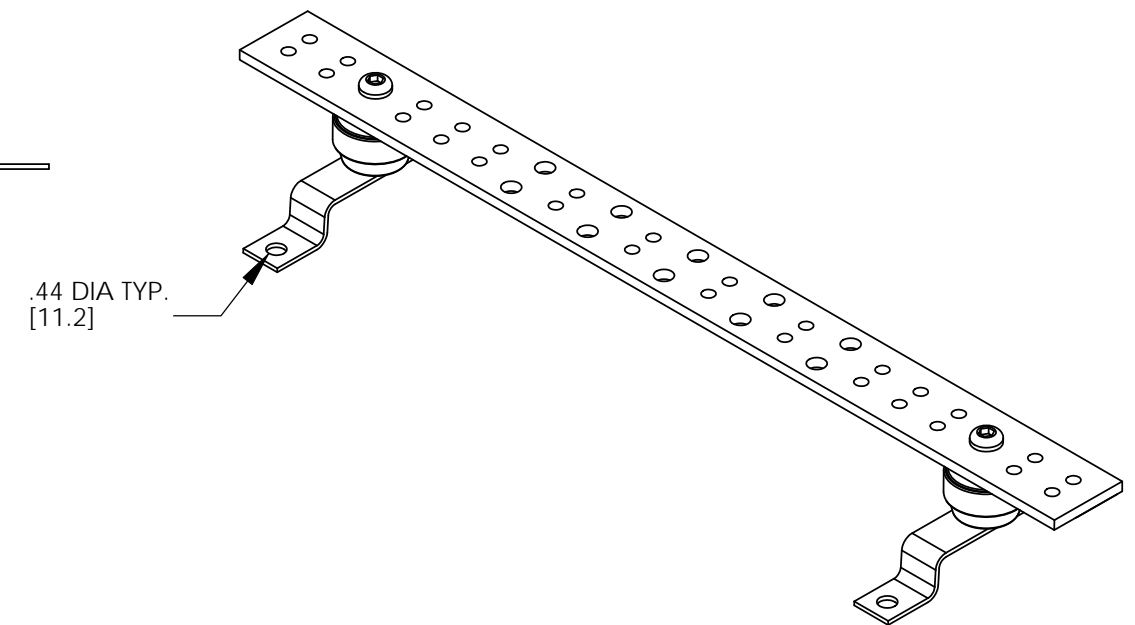
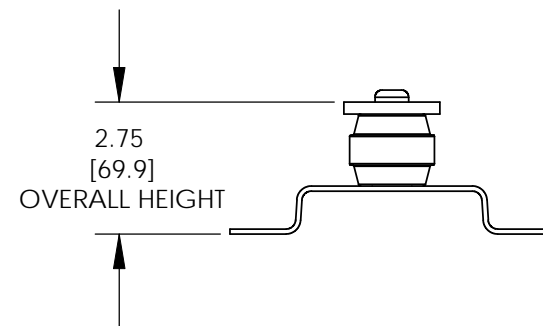
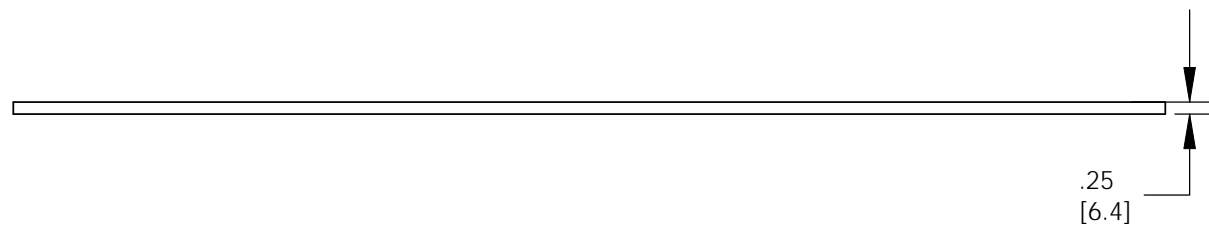
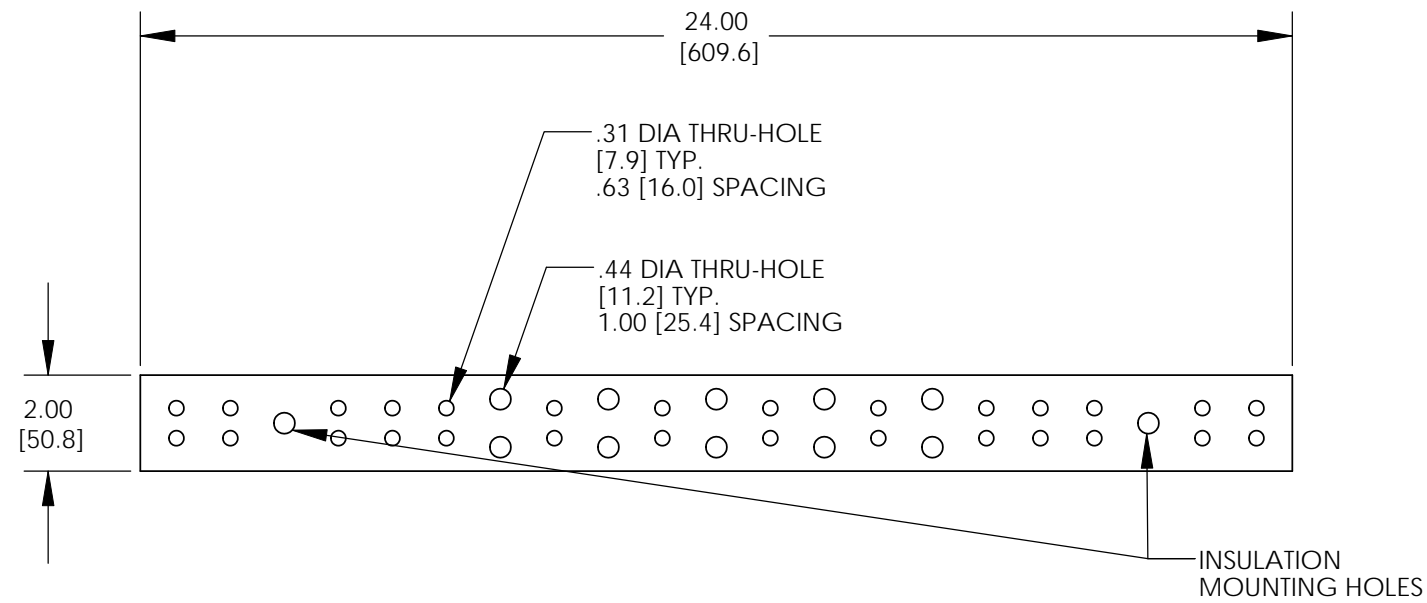


THIS COPY IS PROVIDED ON A RESTRICTED BASIS AND IS NOT TO BE USED IN ANY WAY DETRIMENTAL TO THE INTERESTS OF PANDUIT CORP.

NOTES:

1. KIT COMES FULLY ASSEMBLED
2. KIT INCLUDES BUSBAR, MOUNTING BRACKETS, INSULATORS, AND MOUNTING HARDWARE.
3. MEETS BICSI/J-STD-607-A
4. DIMENSIONS IN PARENTHESIS ARE MILLIMETERS.



ASSEMBLED AS SHOWN

						<b>PANDUIT CORP.</b> TINLEY PARK, ILLINOIS	
						TGB BCSI GROUNDING BUSBAR (GB2B0514TPI) CUSTOMER DRAWING	
05	12/10	JHNU	JHNU	REVISED AGENCY LOGO	N41741BC-C41741	FLD	FLD
04	11/09	JHNU	JHNU	REVISED PART NUMBER: GB2B0514TPI WAS GB2B0314TPI			
03	12/08	JHNU	JHNU	REVISED PART NUMBER: GB2B0314TPI WAS GB2B0314-TPI-1			
02	11/08	JHNU	JHNU	REVISED DRAWING LAYOUT, REMOVED BRACKET VIEWS			
01	11/08	JHNU	DWDA	REVISED BUSBAR BRACKET GEOMETRY			
00	5/08	JHNU	DWDA	DRAWING RELEASED			
<b>REV</b>	<b>DATE</b>	<b>BY</b>	<b>CHK</b>	<b>DESCRIPTION</b>	<b>ECN</b>	<b>-R</b>	<b>SUP</b>
						UNLESS OTHERWISE SPECIFIED DIMENSIONAL TOLERANCES ARE: (.X) ±                    (.XXX) ± (.XX) ±                    ANGLES ±	
						UNLESS OTHERWISE SPECIFIED, ALL DIMENSIONS ARE GIVEN IN INCHES, THIRD ANGLE PROJECTION	
						DRAWN BY: JHNU DATE: 1/08 CHK'D:	
						MAT'L:                    SCALE: NONE DRAWING NO / CAD FILE: C41741_05                    DWG SIZE: B	