

THIS DRAWING IS UNPUBLISHED.

RELEASED FOR PUBLICATION

20

© COPYRIGHT 20 BY -

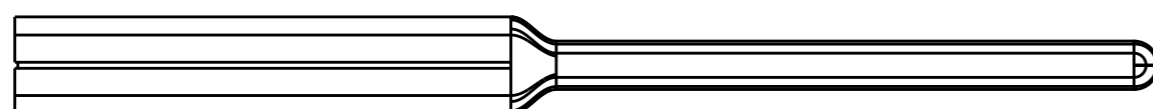
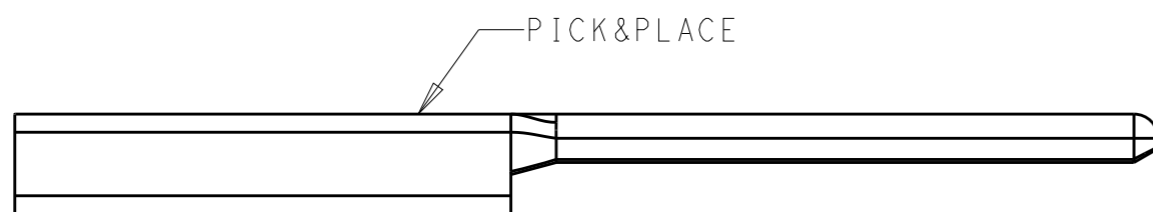
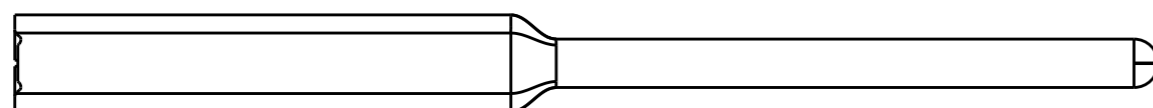
ALL RIGHTS RESERVED.

REVISIONS

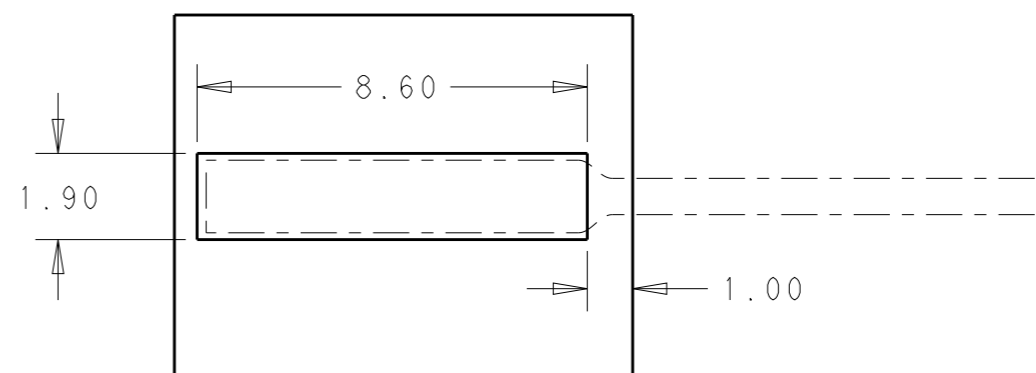
P	LTR	DESCRIPTION	DATE	DWN	APVD
	A	FIRST VERSION	04AUG2016	G.F	S.M

NOTES :

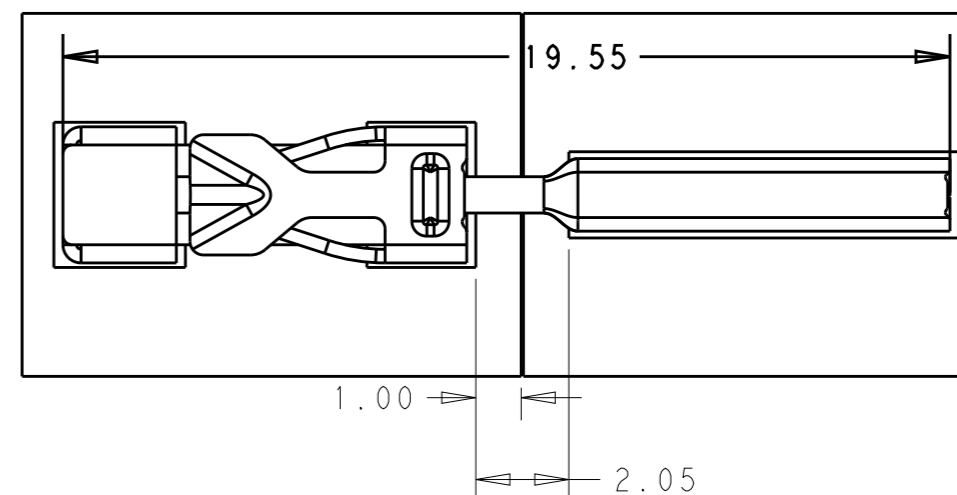
1. MATERIALS AND FINISH:  
CONTACTS: COPPER ALLOY, FINISH: TIN OVER NICKEL UNDERPLATE
2. MUST COMPLY WITH DIRECTIVE 2002/95/EC (ROHS)
3. THIS PRODUCT HAS NOT COMPLETED VALIDATION TESTING
4. PACKAGED TYPE: TAPE AND REEL



SCALE 8:1



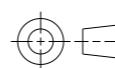
RECOMMENDED PCB LAYOUT



BTB MATING WITH RECEPTACLE P/N:2834167-3

THIS DRAWING IS A CONTROLLED DOCUMENT.

DIMENSIONS:  
mm



TOLERANCES UNLESS OTHERWISE SPECIFIED:

0 PLC	±-
1 PLC	±0.20
2 PLC	±0.13
3 PLC	±
4 PLC	±
ANGLES	±-

MATERIAL  
SEE NOTE

FINISH

-

DWN 04AUG2016  
 GEORGE FU  
 CHK 04AUG2016  
 SHI MING  
 APVD 04AUG2016  
 XU XIANG

PRODUCT SPEC  
108-137166

APPLICATION SPEC  
114-137166

WEIGHT  
-

CUSTOMER DRAWING

NAME  
SMT BTB SLIMCONTACT

SIZE	CAGE CODE	DRAWING NO	RESTRICTED TO
A3	-	2834172	-

SCALE 3:1

SHEET 1 OF 1 REV A

04AUG2016  
 GEORGE FU  
 SHI MING  
 XU XIANG  
**PRELIMINARY**  
 STE TE Connectivity