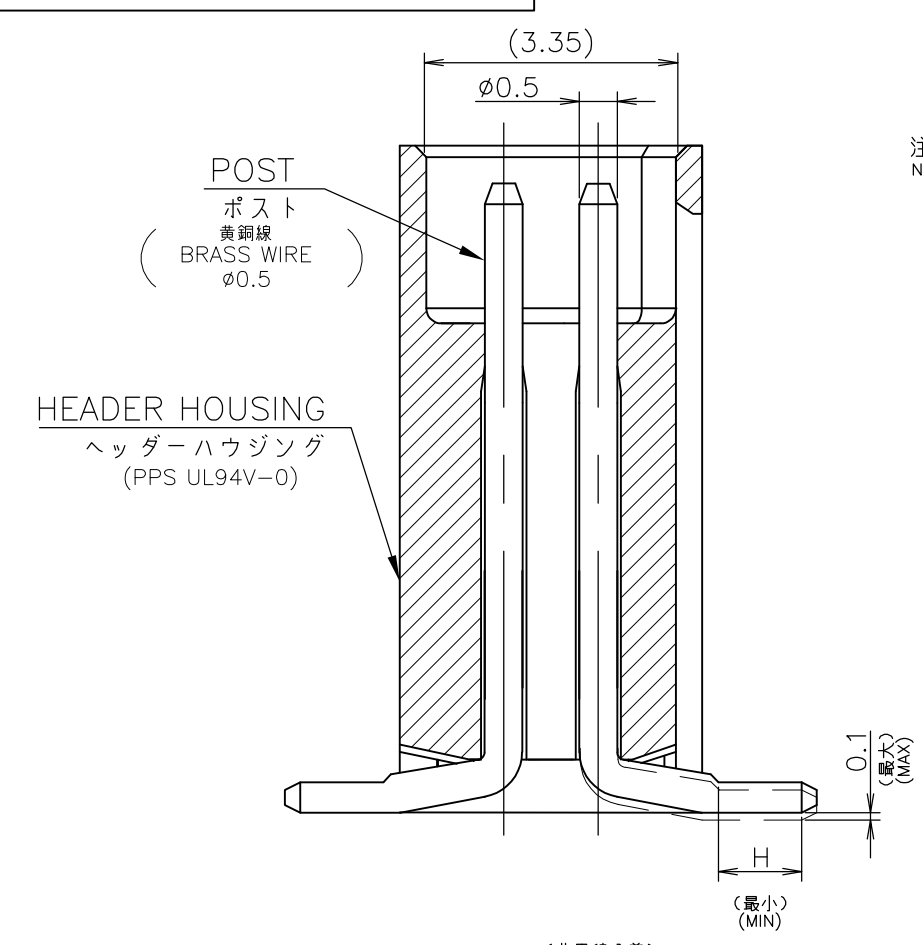
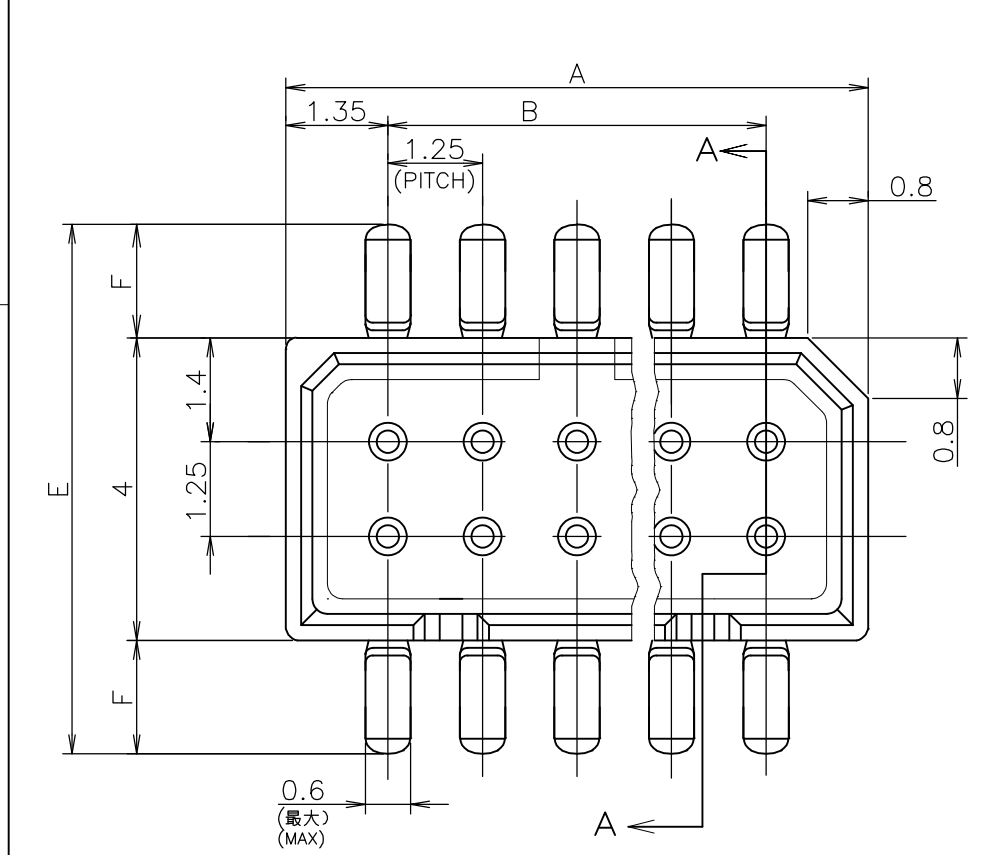


THIS DRAWING IS UNPUBLISHED. RELEASED FOR PUBLICATION

© COPYRIGHT By - ALL RIGHTS RESERVED.

REVISIONS					
P	LTR	DESCRIPTION	DATE	DWN	APVD
D1		REVISED ECR-15-018167	14JAN2015	I.T	W.H

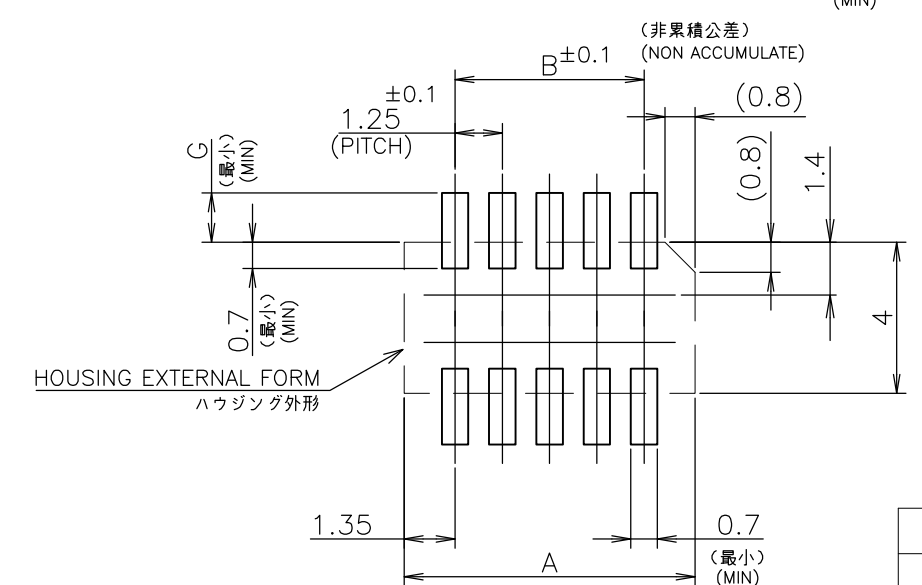
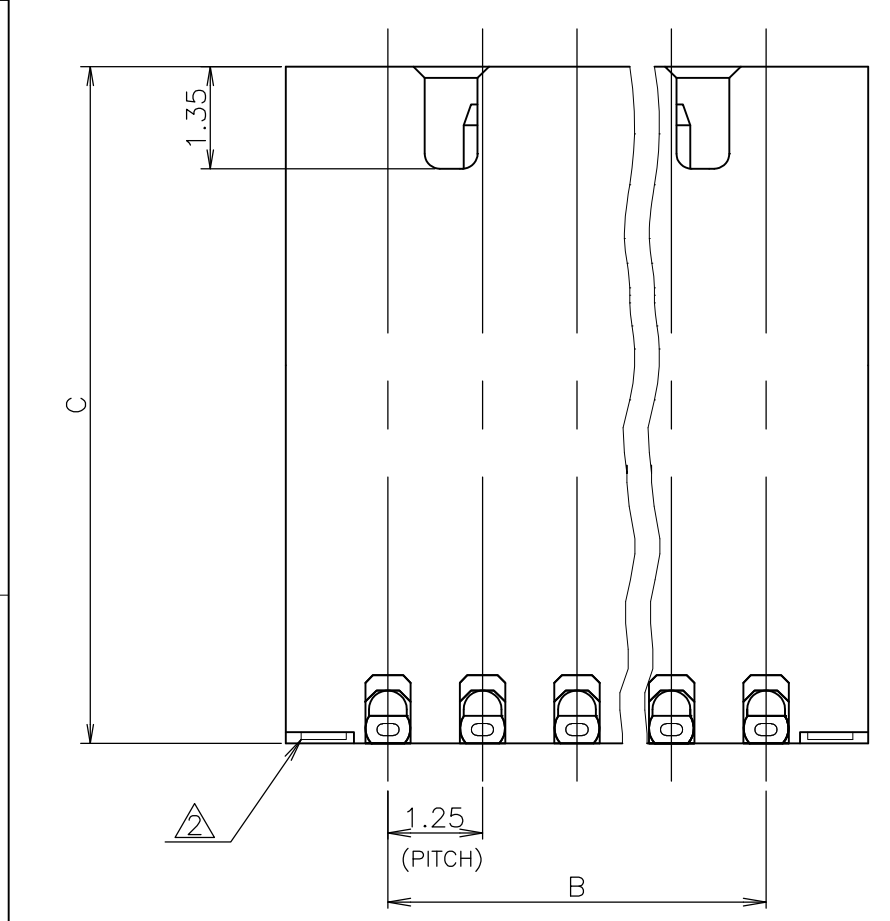


注記
NOTE 1 嵌合相手製品型番及び、嵌合時寸法は
MATING COUNTER PART NUMBER AND DIMENSIONS
表-1 参照のこと。
AFTER MATING: SEE TABLE 1.

嵌合時寸法:巾(mm)x高さ(mm)
DIMENSIONS AFTER MATING: WIDTH(mm) x HEIGHT(mm)

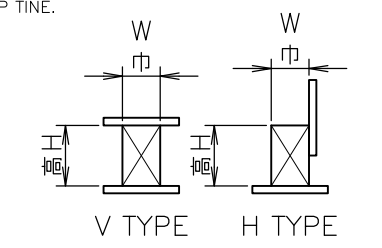
MATING COUNTER CONN RECE HDR ASSY	SMT TYPE - IMPROVED TYPE WITHOUT BOSS X-176769-X		
	ハウジング高さ C寸法 HOUSING HEIGHT C DIMENSIONS		
	3.95	5.45	8.85
DIP TYPE	V TYPE X-176870-X	5.6(巾W)x 5.0(高H)	5.6(巾W)x 6.5(高H)
	H TYPE X-176892-X	5.6(巾W)x 5.8(高H)	5.6(巾W)x 7.3(高H)
SMT TYPE	V TYPE ボス無 WITHOUT BOSS X-176768-X	5.6(巾W)x	5.6(巾W)x
	ボス付 WITH BOSS X-176311-X	5.0(高H)	6.5(高H)
SMT TYPE	H TYPE ボス無 WITHOUT BOSS X-176893-X	5.6(巾W)x	5.6(巾W)x
	ボス付 WITH BOSS X-176490-X	6.9(高H)	8.4(高H)

TABLE 1 SMT TYPEは、巾及び高さ寸法に
SMT TYPE INCLUDE DIMENSIONS
表-1 半田付タイプ寸法を含みます。
OF SOLDER DIP TIME.



P.C.B MOUNTING LAYOUT
基板加工寸法
(適用基板厚: 0.6mm 最小)
(APPLICABLE P.C.B THK: 0.6mm MIN)

- ② 基板位置決め用ボス切断跡。
FINISH, PRE-TIN-LEAD
- ③ 仕上げ: 錫めっき(材料めっき)リフロー
FINISH; PLI-TIN REFLOW
- ④ 仕上げ: ニッケル下地錫めっき(後めっき)
FINISH; TIN PL.
Ni UNDER PL. ALL OVER



④	↑	0.4	1.3	0.8	5.6	3.95	17.50	20.20	30	9-	-0
④	↑						13.75	16.45	24	2-	-4
④	↑	1.0	2.0	1.5	7.0	8.85	12.50	15.20	22	2-	176769-2
仕上げ FINISH	色別 COLOR	H	G	F	E	C	B	A	極数 Pos.	型番 P/N	

THIS DRAWING IS A CONTROLLED DOCUMENT.

DWN S.KANEKI 06FEB91	TE Connectivity	1.25 F-P CONNECTOR (B-TO-B) DOUBLE ROW POST HDR ASSY SMT TYPE WITHOUT BOSS - IMPROVED TYPE			
CHK J.TANIGAWA 06FEB91					
APVD S.KIKUCHI 06FEB91					
PRODUCT SPEC 108-5246					
MATERIAL AS SHOWN 図中参照	WEIGHT	SIZE A3	CAGE CODE 00779	DRAWING NO C-176769	RESTRICTED TO
CUSTOMER DRAWING		SCALE 10:1	SHEET 1 OF 1	REV D1	