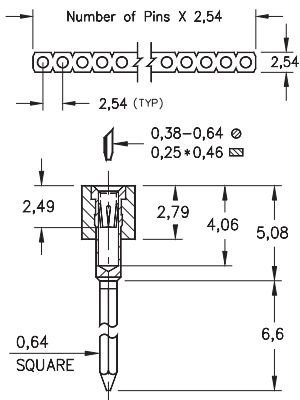
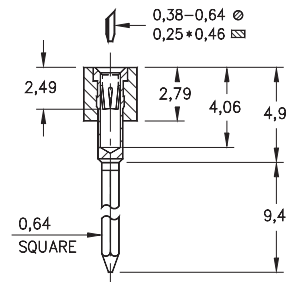


# INTERCONNECTS

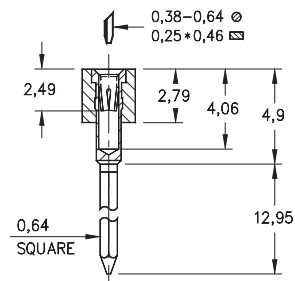
## SERIES 321, 322, 323, 324 • 2,54 GRID WRAPOST • SINGLE ROW STRIPS



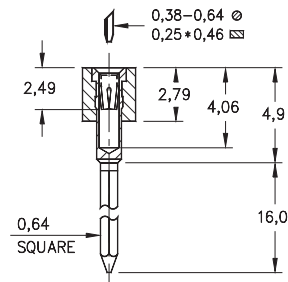
**FIG. 1**



**FIG. 2**



**FIG. 3**



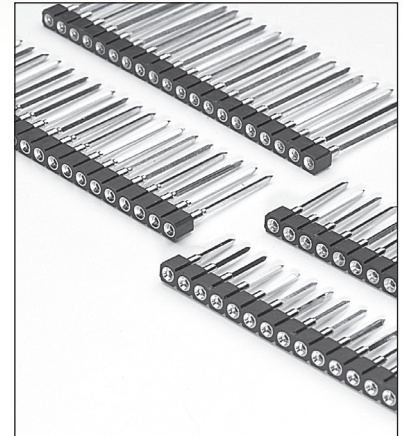
**FIG. 4**

• Wraposts available in 1 - 4 levels using MM pin numbers:

- 1-Level uses pin # 0040-1
  - 2-Level uses pin # 0089-2
  - 3-Level uses pin # 0088-3
  - 4-Level uses pin # 0086-4
- See page 198 for details

• Hi-Rel, 4-finger BeCu #30 contact is rated at 3 amps. See page 253 for details

• Insulators are high temperature thermoplastic, suitable for all soldering operations



### ORDERING INFORMATION

	Series 321...001	1 Level Wrapost					
<b>FIG. 1</b>	321-13-1	-41-001000					
	Specify number of pins	↑	01-64				
<b>FIG. 2</b>	Series 322...001	2 Level Wrapost					
	322-XX-1	-41-001000					
	Specify number of pins	↑	01-64				
<b>FIG. 3</b>	Series 323...001	3 Level Wrapost					
	323-XX-1	-41-001000					
	Specify number of pins	↑	01-64				
<b>FIG. 4</b>	Series 324...002	4 Level Wrapost					
	324-XX-1	-41-002000					
	Specify number of pins	↑	01-64				
<div style="display: flex; justify-content: space-around; align-items: center;"> <div style="border: 1px solid black; padding: 5px; background-color: #90EE90;">RoHS-2 2011/65/EU</div> <div style="border: 1px solid black; border-radius: 50%; padding: 5px;">XX=Plating Code See Below</div> <div style="border: 1px solid black; border-radius: 50%; padding: 5px;">For Electrical, Mechanical &amp; Environmental Data, See page 264</div> </div>							
<b>SPECIFY PLATING CODE XX=</b>		11	13	91	93	41	43
Sleeve (Pin)		0,25µm Au	0,25µm Au	5,08µm Sn/Pb	5,08µm Sn/Pb	5,08µm Sn	5,08µm Sn
Contact (Clip)		0,25µm Au	0,76µm Au	0,25µm Au	0,76µm Au	0,25µm Au	0,76µm Au

