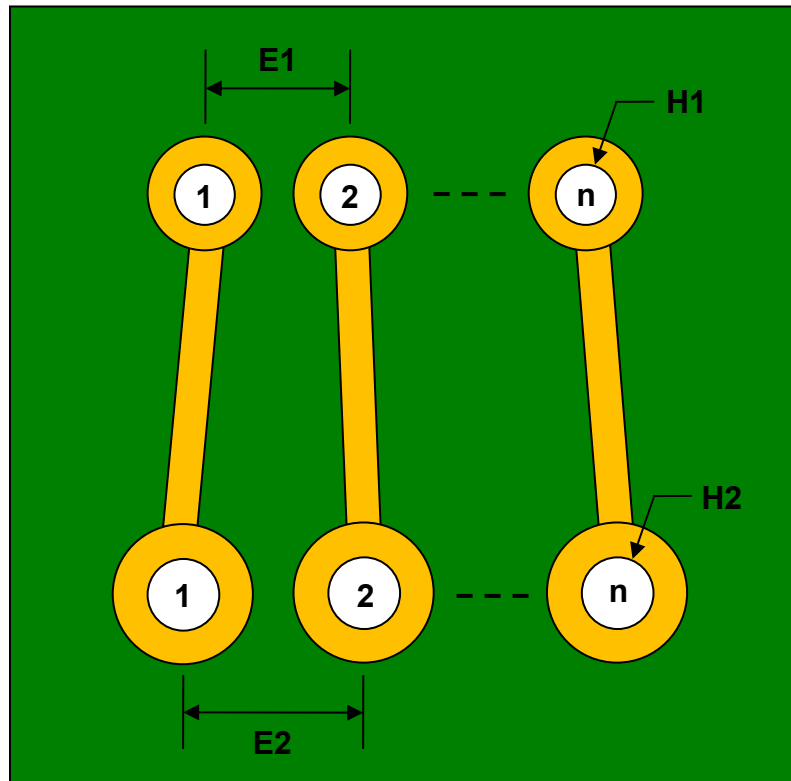


Pitch Changer 1.27mm to 2.54mm conversion - 5 Pin

| REF. | DIMENSIONS |      |      |        |      |      | Pin Count |
|------|------------|------|------|--------|------|------|-----------|
|      | mm         |      |      | inches |      |      |           |
|      | MIN.       | TYP. | MAX. | MIN.   | TYP. | MAX. |           |
| E1   |            | 1.27 |      |        |      |      |           |
| E2   |            | 2.54 |      |        |      |      |           |
| H1   |            | 0.64 |      |        |      |      |           |
| H2   |            | 1.00 |      |        |      |      |           |
| n    |            |      |      |        |      |      | 5         |

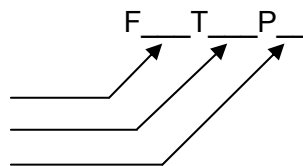
Top View (TH Footprints)



(Representative drawing only - not to scale)

Part Number Coding

From Pitch (mm): 1.00, 1.27, 2.00, 2.54  
 To Pitch (mm): 1.00, 1.27, 2.00, 2.54  
 Pin Count: 4, 5, 6, 8, 10, 16, 20  
 Rule: From Pitch ≤ To Pitch



## Orderable Part Numbers

| Part Number | From Pitch | To Pitch | Pin Count |
|-------------|------------|----------|-----------|
| F100T100P04 | 1.00mm     | 1.00mm   | 4         |
| F100T100P05 | 1.00mm     | 1.00mm   | 5         |
| F100T100P06 | 1.00mm     | 1.00mm   | 6         |
| F100T100P08 | 1.00mm     | 1.00mm   | 8         |
| F100T100P10 | 1.00mm     | 1.00mm   | 10        |
| F100T100P16 | 1.00mm     | 1.00mm   | 16        |
| F100T100P20 | 1.00mm     | 1.00mm   | 20        |
| F100T127P04 | 1.00mm     | 1.27mm   | 4         |
| F100T127P05 | 1.00mm     | 1.27mm   | 5         |
| F100T127P06 | 1.00mm     | 1.27mm   | 6         |
| F100T127P08 | 1.00mm     | 1.27mm   | 8         |
| F100T127P10 | 1.00mm     | 1.27mm   | 10        |
| F100T127P16 | 1.00mm     | 1.27mm   | 16        |
| F100T127P20 | 1.00mm     | 1.27mm   | 20        |
| F100T200P04 | 1.00mm     | 2.00mm   | 4         |
| F100T200P05 | 1.00mm     | 2.00mm   | 5         |
| F100T200P06 | 1.00mm     | 2.00mm   | 6         |
| F100T200P08 | 1.00mm     | 2.00mm   | 8         |
| F100T200P10 | 1.00mm     | 2.00mm   | 10        |
| F100T200P16 | 1.00mm     | 2.00mm   | 16        |
| F100T200P20 | 1.00mm     | 2.00mm   | 20        |
| F100T254P04 | 1.00mm     | 2.54mm   | 4         |
| F100T254P05 | 1.00mm     | 2.54mm   | 5         |
| F100T254P06 | 1.00mm     | 2.54mm   | 6         |
| F100T254P08 | 1.00mm     | 2.54mm   | 8         |
| F100T254P10 | 1.00mm     | 2.54mm   | 10        |
| F100T254P16 | 1.00mm     | 2.54mm   | 16        |
| F100T254P20 | 1.00mm     | 2.54mm   | 20        |
| F127T127P04 | 1.27mm     | 1.27mm   | 4         |
| F127T127P05 | 1.27mm     | 1.27mm   | 5         |
| F127T127P06 | 1.27mm     | 1.27mm   | 6         |
| F127T127P08 | 1.27mm     | 1.27mm   | 8         |
| F127T127P10 | 1.27mm     | 1.27mm   | 10        |
| F127T127P16 | 1.27mm     | 1.27mm   | 16        |
| F127T127P20 | 1.27mm     | 1.27mm   | 20        |

| Part Number | From Pitch | To Pitch | Pin Count |
|-------------|------------|----------|-----------|
| F127T200P04 | 1.27mm     | 2.00mm   | 4         |
| F127T200P05 | 1.27mm     | 2.00mm   | 5         |
| F127T200P06 | 1.27mm     | 2.00mm   | 6         |
| F127T200P08 | 1.27mm     | 2.00mm   | 8         |
| F127T200P10 | 1.27mm     | 2.00mm   | 10        |
| F127T200P16 | 1.27mm     | 2.00mm   | 16        |
| F127T200P20 | 1.27mm     | 2.00mm   | 20        |
| F127T254P04 | 1.27mm     | 2.54mm   | 4         |
| F127T254P05 | 1.27mm     | 2.54mm   | 5         |
| F127T254P06 | 1.27mm     | 2.54mm   | 6         |
| F127T254P08 | 1.27mm     | 2.54mm   | 8         |
| F127T254P10 | 1.27mm     | 2.54mm   | 10        |
| F127T254P16 | 1.27mm     | 2.54mm   | 16        |
| F127T254P20 | 1.27mm     | 2.54mm   | 20        |
| F200T200P04 | 2.00mm     | 2.00mm   | 4         |
| F200T200P05 | 2.00mm     | 2.00mm   | 5         |
| F200T200P06 | 2.00mm     | 2.00mm   | 6         |
| F200T200P08 | 2.00mm     | 2.00mm   | 8         |
| F200T200P10 | 2.00mm     | 2.00mm   | 10        |
| F200T200P16 | 2.00mm     | 2.00mm   | 16        |
| F200T200P20 | 2.00mm     | 2.00mm   | 20        |
| F200T254P04 | 2.00mm     | 2.54mm   | 4         |
| F200T254P05 | 2.00mm     | 2.54mm   | 5         |
| F200T254P06 | 2.00mm     | 2.54mm   | 6         |
| F200T254P08 | 2.00mm     | 2.54mm   | 8         |
| F200T254P10 | 2.00mm     | 2.54mm   | 10        |
| F200T254P16 | 2.00mm     | 2.54mm   | 16        |
| F200T254P20 | 2.00mm     | 2.54mm   | 20        |
| F254T254P04 | 2.54mm     | 2.54mm   | 4         |
| F254T254P05 | 2.54mm     | 2.54mm   | 5         |
| F254T254P06 | 2.54mm     | 2.54mm   | 6         |
| F254T254P08 | 2.54mm     | 2.54mm   | 8         |
| F254T254P10 | 2.54mm     | 2.54mm   | 10        |
| F254T254P16 | 2.54mm     | 2.54mm   | 16        |
| F254T254P20 | 2.54mm     | 2.54mm   | 20        |