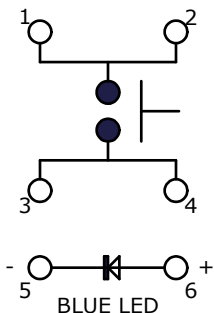


P.C.B. LAYOUT

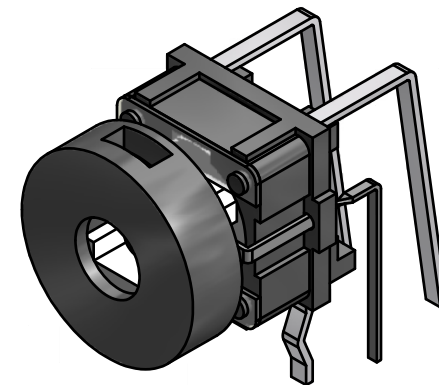


CIRCUIT: SPST

LED SPECS	UNITS	BLUE
FORWARD CURRENT	mA	20 TYP.
FORWARD VOLTAGE	V	2.9 TYP. - 4.0 MAX.
LUMINOUS INTENSITY	MCD	150 TYP.

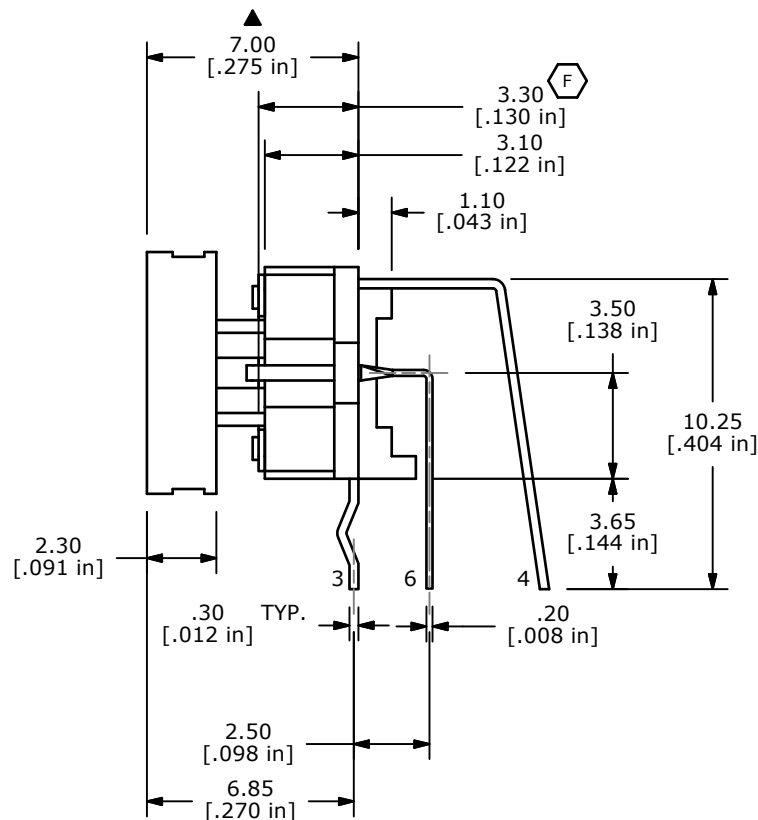
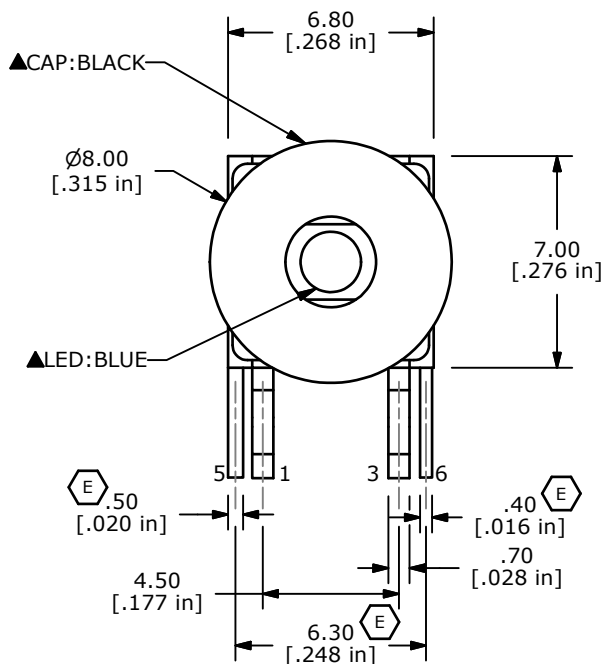
F

E



NOTES:

1. ALL DIMENSIONS IN MM [INCH]
2. GENERAL TOLERANCE: X.X=±0.4
X.XX=±0.25
3. RATING: 12VDC @ 50mA
4. CONTACT RESISTANCE: 100mΩ MAX.
5. INSULATION RESISTANCE: 100MΩ MIN.
- ▲6. OPERATING FORCE: 160± 50gf
7. TRAVEL: 0.2± 0.1mm
8. OPERATING TEMPERATURE: -20°C TO 70°C
9. OPERATING LIFE: 500,000 CYCLES (F)
- ▲10. LED: BLUE
11. ▲ DENOTES CRITICAL PARAMETERS
12. 2002/95/EC (ROHS) COMPLIANT
13. PACKAGING: 100 PIECES PER TRAY (G)



G	21659	ADDED NOTE 13	10/23/14	AS
F	19956	CORRECT NOTES / LED CHART/ DIM	05/20/11	BMA
E	19542	UPDATE DRAWING	12/21/10	BGL
D	17280	GEN. TOLERANCE NOTE ADDED	5/11/07	TN
C	16026	UPDATE LED SPECS	5/16/06	CT
REV	PCR NO	DESCRIPTION	DATE	BY

THE INFORMATION CONTAINED IN THIS DOCUMENT IS PROPRIETARY TO E-SWITCH AND IS NOT TO BE COPIED OR TRANSFERRED



TITLE TL1260BQRBLK

SCALE	DATE	DR	DWG	REV
4:1	5/11/2007	TN	B200000	G