

THIS COPY IS PROVIDED ON A RESTRICTED BASIS AND IS NOT TO BE USED IN ANY WAY DETRIMENTAL TO THE INTERESTS OF PANDUIT CORP.

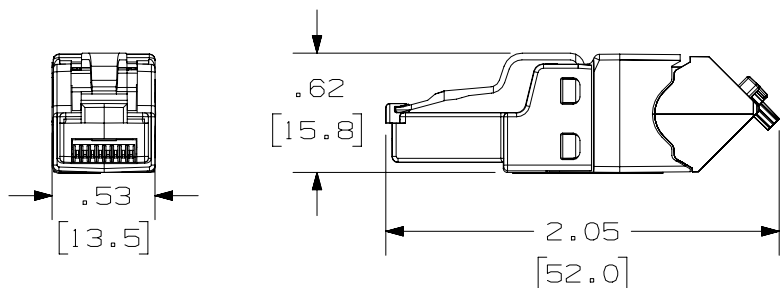
45° UP-DOWN
UTP WIRE CAP

UTP
STRAIN
RELIEF
CLIP

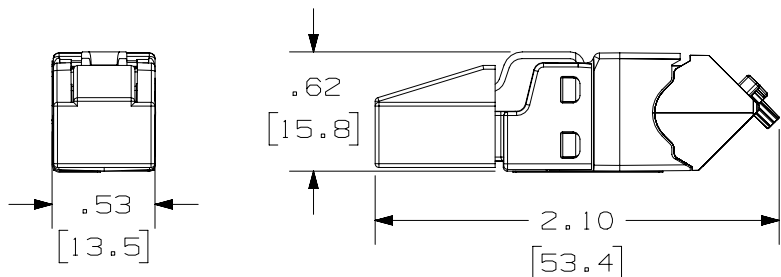
PROTECTIVE
WIRE CAP

NOTES:

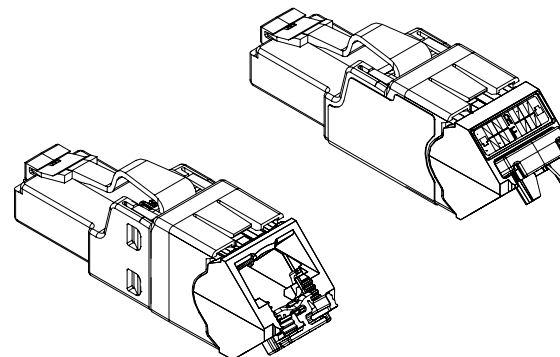
- VISIT OUR ON-LINE CATALOG AT WWW.PANDUIT.COM FOR A LIST OF CURRENT PARTS APPLICABLE FOR USE WITH THIS PRODUCT.
- DIMENSIONS IN [] ARE METRIC.
- ALL MATERIALS AND COMPONENTS USED MEET THE MATERIAL RESTRICTIONS OF RoHS (EUROPEAN DIRECTIVE 2011/65/EU ON THE RESTRICTION OF HAZARDOUS SUBSTANCES) AS PROPOSED BY THE RoHS TECHNICAL ADAPTATION COMMITTEE.
- WEIGHT: 1.504 LBS/ 100 PCS (682g/ 100 PCS)
- PART INCLUDES:
PLUG ENCLOSURE: POLYCARBONATE W/ UL94V-0 FLAME RATING
CONTACTS & IDCs: PHOSPHOR BRONZE
- MEETS OR EXCEEDS PROPOSED TIA CATEGORY 6A, 6 AND 5E MODULAR PLUG TERMINATED LINK REQUIREMENTS WITH UP TO TWO FIELD TERMINABLE PLUGS IN LINK.
- TERMINATES 22-26AWG SOLID OR STRANDED UTP CABLE.
- SEE INSTALLATION INSTRUCTION FOR PROPER TERMINATION METHODS.
- OPERATIONAL TEMPERATURE: -40°F TO +167°F (-40°C TO +75°C)
- STORAGE TEMPERATURE: -40°F TO +167°F (-40°C TO +75°C)
- 8 POSITION, 8 WIRE UTP RJ45 PLUG W/ 45° UP/DOWN WIRE CAP ASSEMBLY, WIRE CAP LABEL IS CODED FOR T568B WIRING SCHEME.



WITHOUT PROTECTIVE CAP



WITH PROTECTIVE CAP



ACTUAL SIZE

PART NUMBER		FPUD6X88MTG		
TITLE		TX6A FIELD TERMINABLE UTP RJ45 PLUG W/ 45° UP/DOWN WIRE CAP ASSEMBLY		
ITEM REVISION NAME		CUSTOMER DRAWING		
DATASET FILE NAME		00163LAG-02		
MATERIAL		SEE NOTE 5		
DRAWING NUMBER		00163LAG-02		
DRAWN BY		DATE	CHK	SCALE
BJN		4-21-17	JAV	FULL
SHEET 1 OF 1		A		

REV	DATE	BY	CHK	APR	DESCRIPTION	ECN
3	3-13-18	BJN	DCS	TMBA	UPDATED	00163LAG-02
2	1-5-18	BJN	DCS	TMBA	UPDATED REVISED & REDRAWN PREVIOUS REVISIONS REMVD FOR CLARITY	00163LAG-02

A-SIZE CUSTOMER