

DO NOT SCALE DRAWING
DIMENSION IN METRIC

DWG. NO.
SD 35716-0310

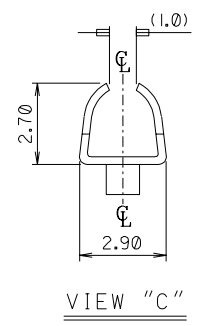
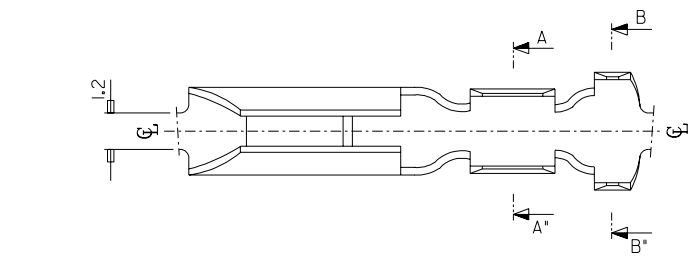
SIMILAR ITEM

PROJECT NO.

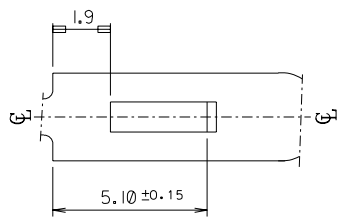
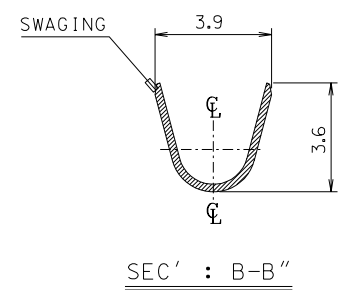
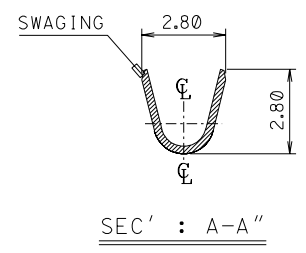
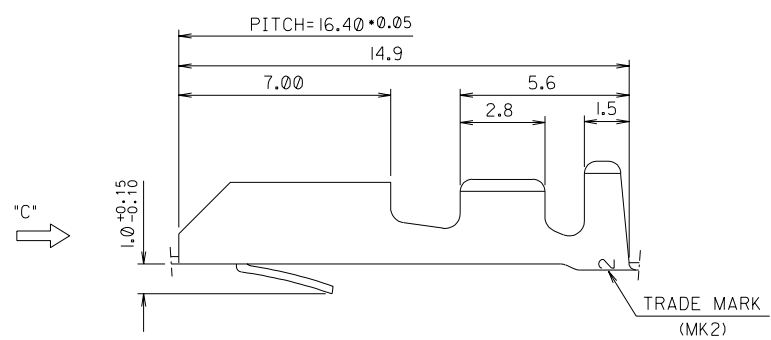
C

B

8
7
6
5
4
3
2
1



- NOTES
1. MATERIAL : BRASS, 0.25mm THICKNESS
 2. FINISH : PRE-PLATED TIN
 3. MATING PIN : 2.36 DIA. PIN
 4. RECOMMENDED LENGTH OF WIRE STRIP IS 3.7-4.5mm.
 5. APPLICABLE WIRE RANGE : AWG #20-#18
INSULATION DIAMETER : 2.0 - 2.8mm



REVISED	EC NO. KOR2004-0068 DRWN: C.B.CHIN 03/11/13 CHK: W.Y.YANG APPR: C.W.LEE	QUALITY SYMBOLS MAJOR = CRITICAL =	GENERAL TOLERANCES: (UNLESS SPECIFIED)		SCALE 6:1	DESIGN UNITS <input checked="" type="checkbox"/> mm <input type="checkbox"/> INCH	THIRD ANGLE PROJECTION	DIMENSIONS: <input type="checkbox"/> mm <input type="checkbox"/> INCH <input checked="" type="checkbox"/> mm ONLY	SHT	REV	
			4 PLACES ±. ±.	3 PLACES ±. ±.	2 PLACES ±0.30 ±.	1 PLACE ±0.30 ±.	DRAWN BY & DATE W.Y.YANG 92/04/21		TITLE: 2.36 DIA. PIN RECEPTACLE (L)		
B1	REV	DESCRIPTION	ANGULAR: ± °		APPROVED BY & DATE C.W.LEE 92/04/21		MATERIAL NO. 357160310		DRAWING NO. SD-35716-0310		SHEET NO. 1 of 1
			DRAFT WHERE APPLICABLE MUST REMAIN WITHIN DIMENSIONS		THIS DRAWING CONTAINS INFORMATION THAT IS PROPRIETARY TO MOLEX INCORPORATED AND SHOULD NOT BE USED WITHOUT WRITTEN PERMISSION.						SIZE B