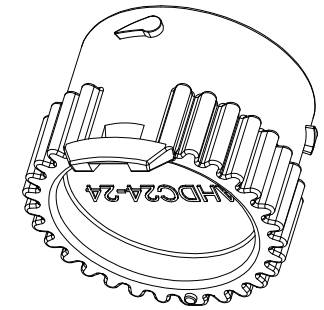
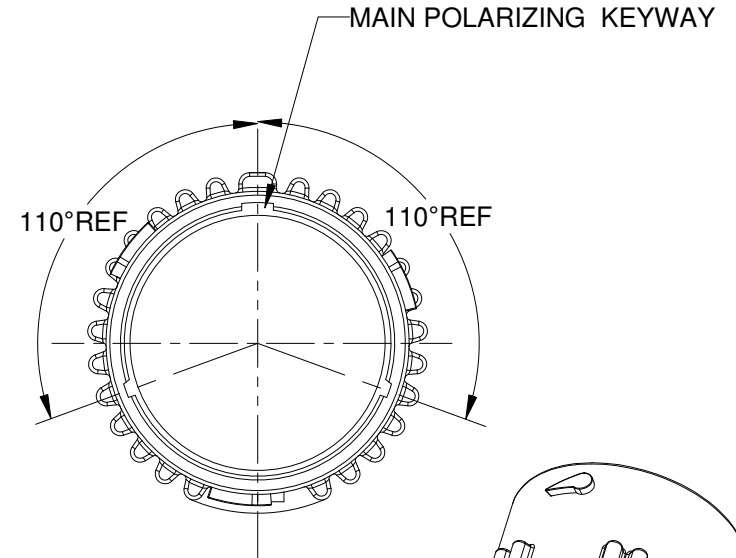
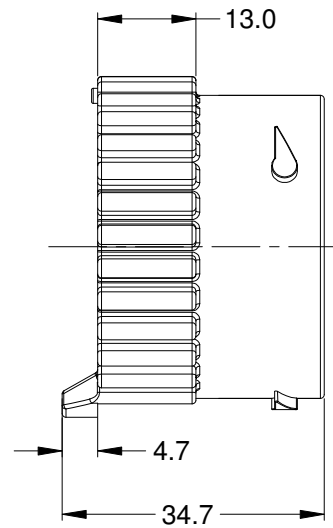
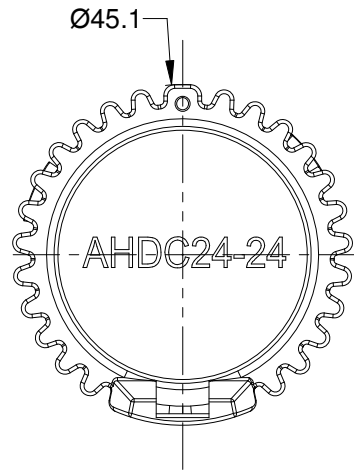


REVISIONS

REV	ECO	DESCRIPTION	DATE	BY	APPR
A1		RELEASE NEW PRODUCT	22NOV15	ORION	TOMMY
A2		UPDATE SOME DIMENSIONS	23DEC15	ORION	TOMMY



NOTES: UNLESS OTHERWISE SPECIFIED

1. MATERIAL:  
SHELL: THERMOPLASTIC  
SEAL: SILICONE RUBBER

2. COLORS: BLACK

3. RoHS COMPLIANT

4. COMPATIBLE WITH ALL SIZE 24 AHDP SERIES PLUGS.

5. ALL DIMENSIONS ARE FOR REFERENCE USE ONLY.

AHDC24-24		PART NUMBER		DESCRIPTION		ITEM
QUANTITY	MATERIALS LIST					
UNLESS OTHERWISE SPECIFIED		SIGNATURES		DATE		<h1>Amphenol</h1> <p>Sine Systems - <a href="http://www.amphenol-sine.com">www.amphenol-sine.com</a> 44724 Morley Drive Clinton Township, MI 48036</p>
1) All dimensions are in metric(mm).		DRAWN: ORION.LI		22NOV15		
2) Tolerances are as follows:		CHECKED:				
1 PL DEC ±0.30 2 PL DEC ±0.15 3 PL DEC ±0.08		ENGINEER:				
3) Note reference =		APPROVAL: TOMMY.XIE		22NOV15		PROTECTIVE CAP FOR PLUGS, AHDP SERIES, SIZE 24
MATERIAL SPECIFICATIONS:		CUSTOMER:				
PROCESS SPECIFICATIONS:		THIS DRAWING IS SUPPLIED FOR INFORMATION ONLY. DESIGN FEATURES, SPECIFICATIONS AND PERFORMANCE DATA SHOWN HEREON ARE THE PROPERTY OF THE AMPHENOL CORPORATION. NO RIGHTS OF REPRODUCTION ARE IMPLIED. ALL DIMENSIONS ARE SUBJECT TO NORMAL MANUFACTURING VARIATIONS.				
NEXT ASSY:		SIZE	TYPE	DWG NO:	REVISION	
		A	C-	AHDC24-24	A2	
		SCALE: NONE		SHEET 1 OF 1		