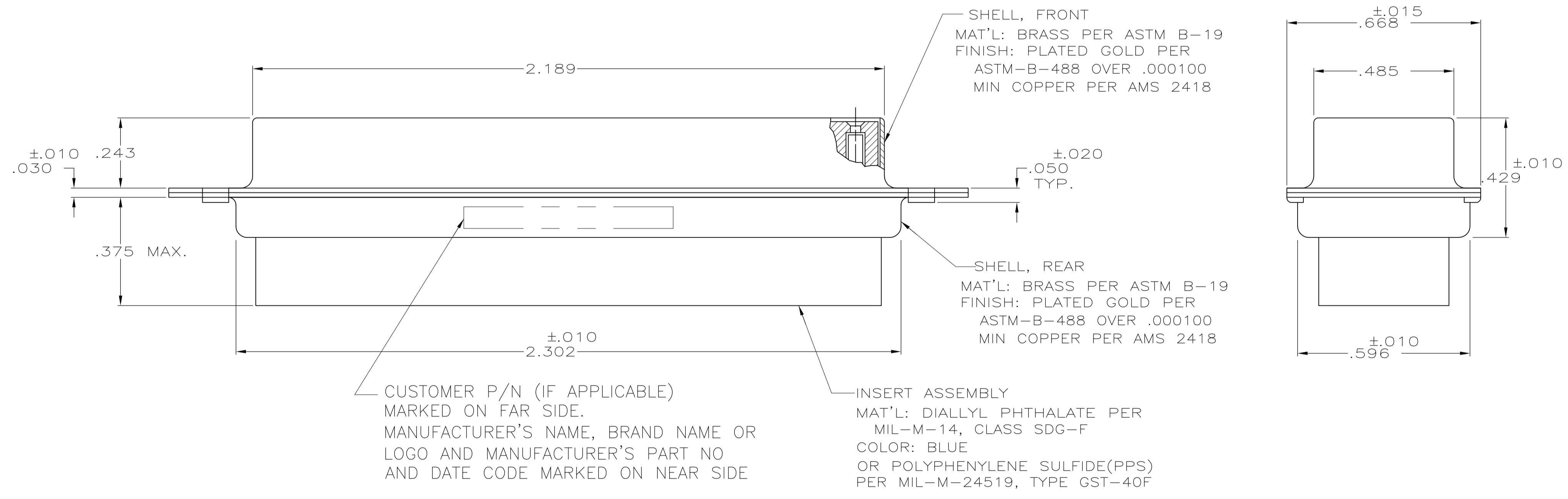
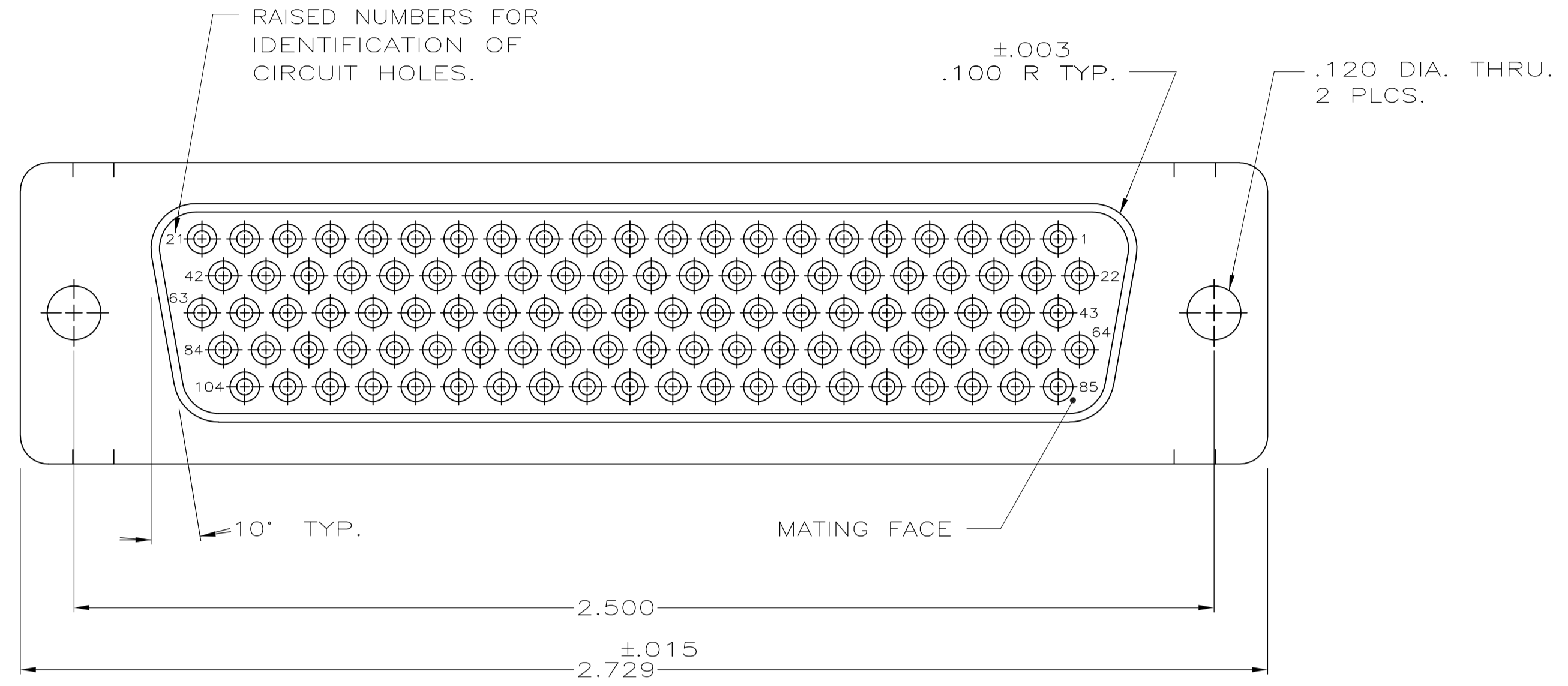


LOC		DIST		REVISIONS			
DF	DO	REV	DESCRIPTION	DATE	DWN	APVD	
C		1	REV PER ECO 08-022905	17OCT08	PK	BW	

1. THIS RECEPTACLE WILL MATE WITH ANY SIZE 6,104 POSN. PLUG IN AMPLIMITE SERIES.
 2. CONNECTOR SUPPLIED WITHOUT CONTACTS; SHOWN FOR ILLUSTRATION ONLY.
 3. BE-CU RETENTION CLIPS ARE INCLUDED IN INSERTS AND INSTALLED WITH TINES POINTING TOWARDS MATING FACE.
 4. OVERALL DIMENSIONS DO NOT INCLUDE RAISED CAVITY IDENTIFICATION
 5. MARKING FAR SIDE REFERS TO WIDE SIDE OF KEYSTONE. NEAR SIDE REFERS TO NARROW SIDE OF KEYSTONE.
- ⚠ 100% INSPECTION REQUIRED PER BOEING 1B01:
 A. VISUAL
 B. DWV
 C. IR
7. CUSTOMER REQUIRES SINGLE LOT DATE CODE.



⚠	1B01-006RHW	1-211648-1
⚠	1B01-006	211648-1
REMARKS	CUSTOMER PART NUMBER	PART NO.

THIS DRAWING IS A CONTROLLED DOCUMENT.

DWN D. ERDMAN 3/8/84	CHK B. YOHN 4/26/84	APVD J. BROCHARD 6/29/84	NAME Tyco Electronics Corporation Harrisburg, PA 17105-3608
DIMENSIONS: INCHES	TOLERANCES UNLESS OTHERWISE SPECIFIED:	PRODUCT SPEC	RESTRICTED TO
0 PLC ± -	1 PLC ± -	APPLICATION SPEC	SIZE A1
2 PLC ± -	3 PLC ± .005	WEIGHT	CAGE CODE 00779
4 PLC ± -	ANGLES ± 0'30"	CUSTOMER DRAWING	DRAWING NO 211648
MATERIAL SEE CALLOUT	FINISH SEE CALLOUT	SCALE NTS	SHEET 1 OF 1