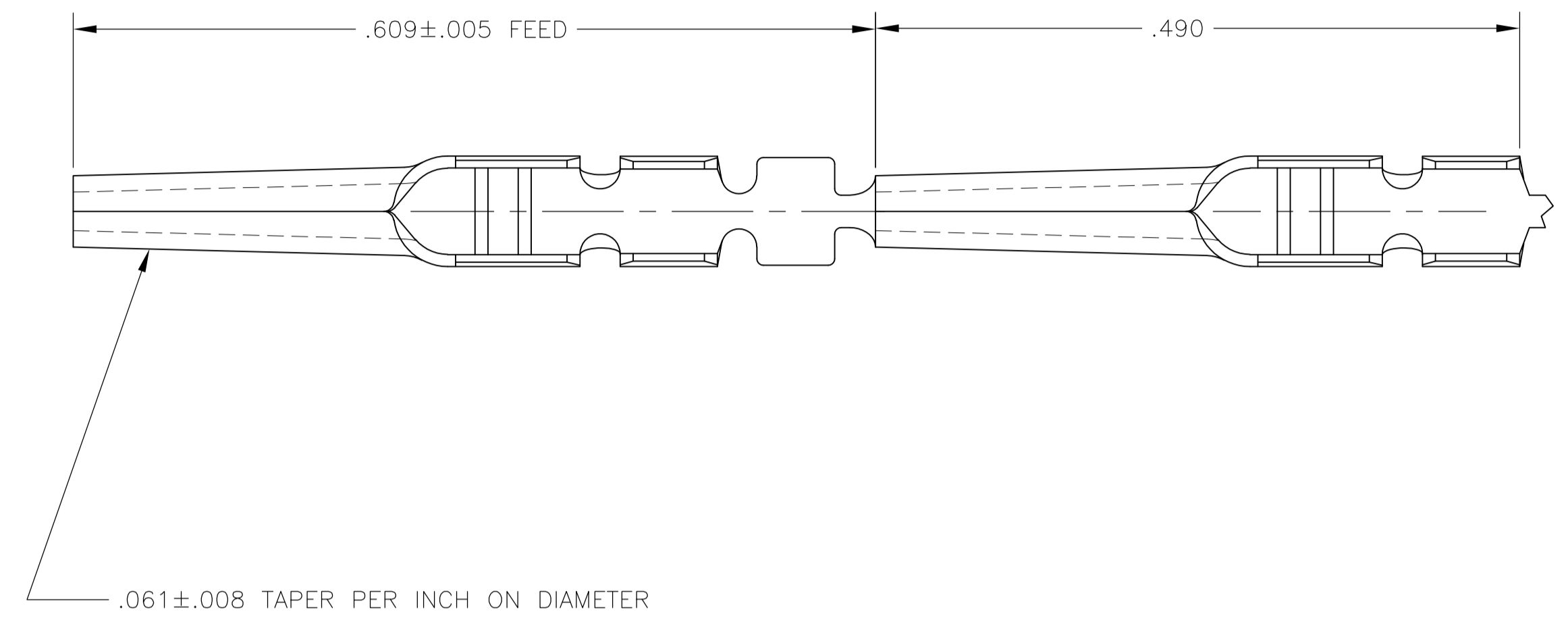
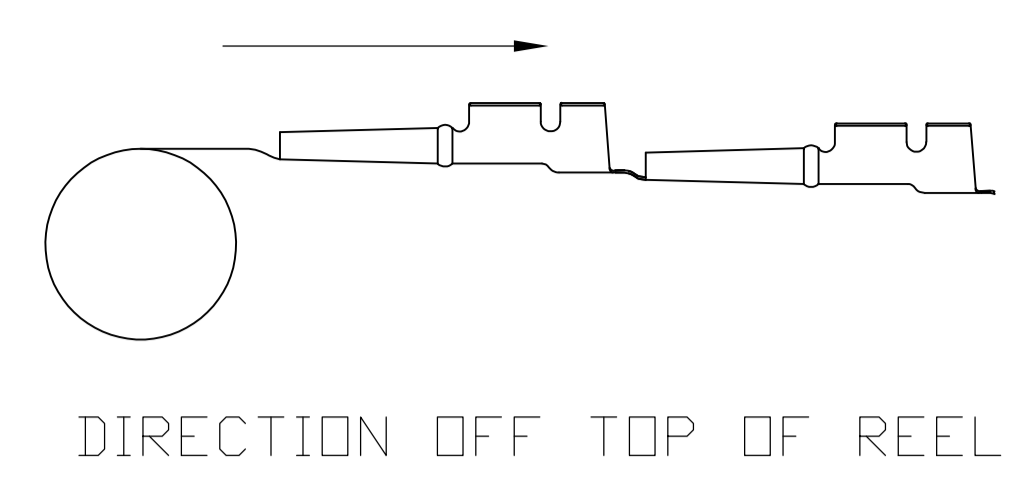
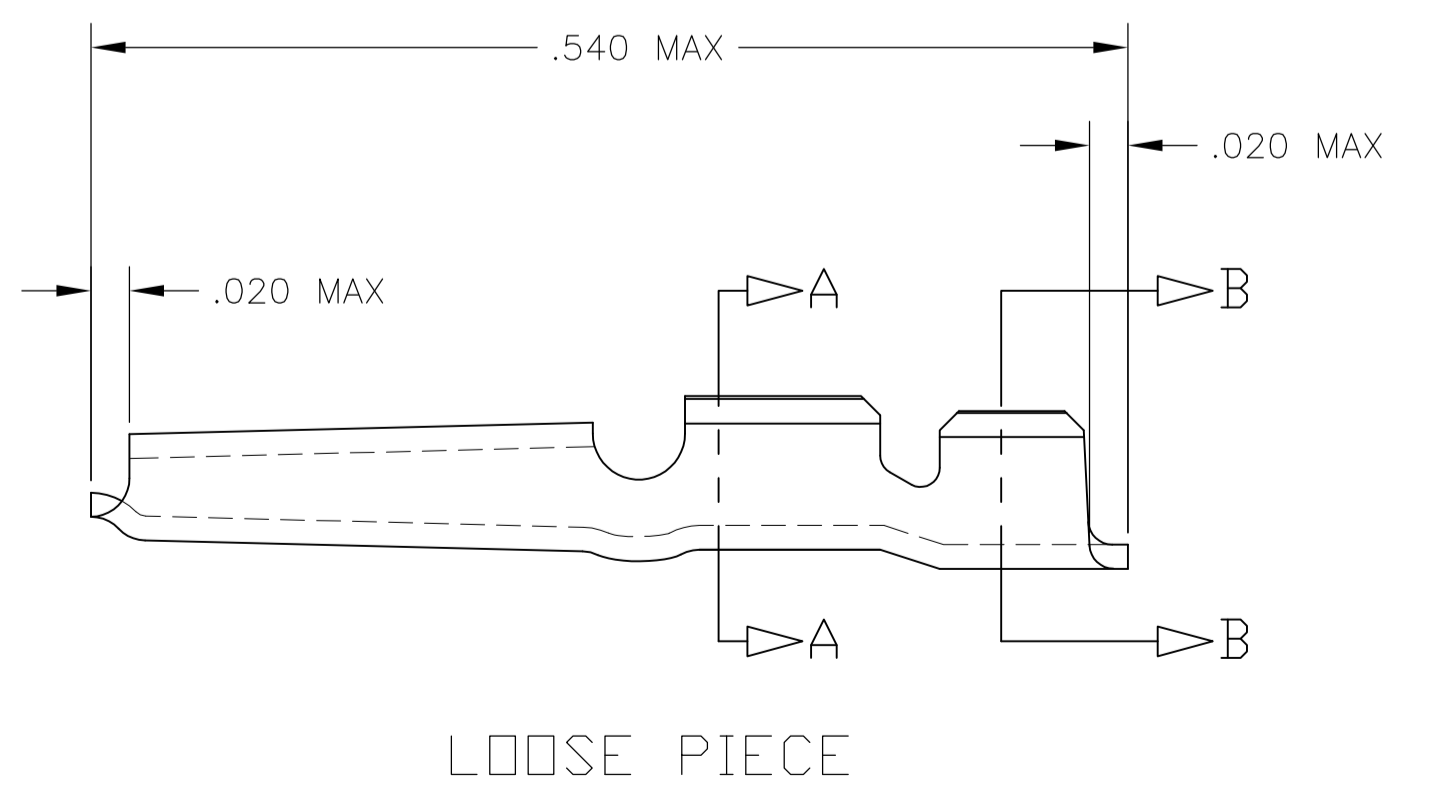
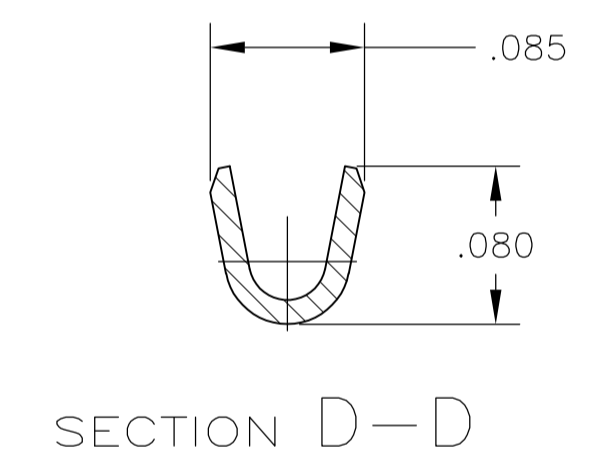
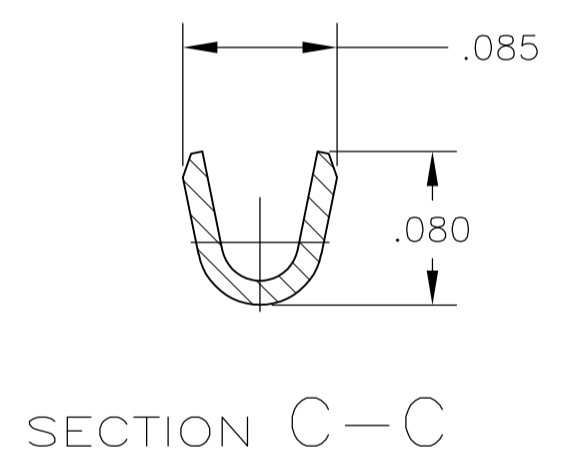
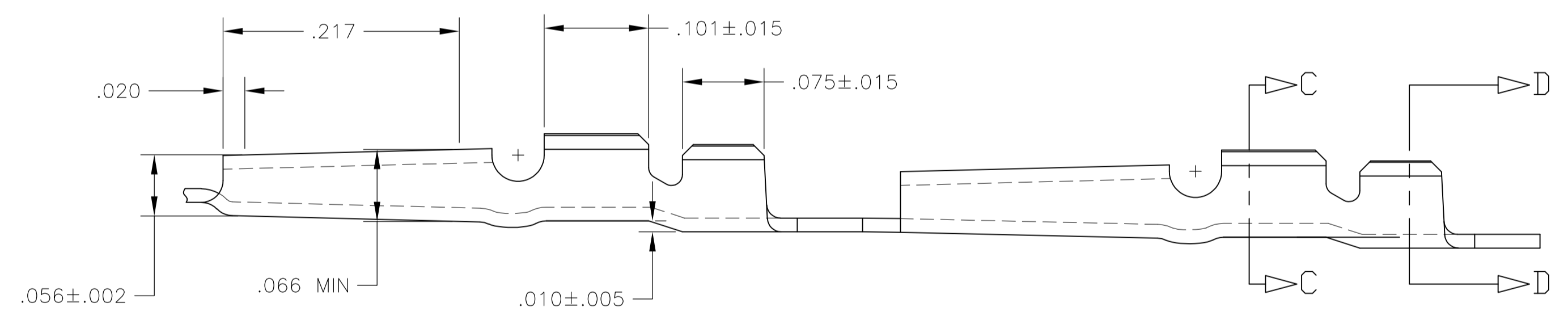


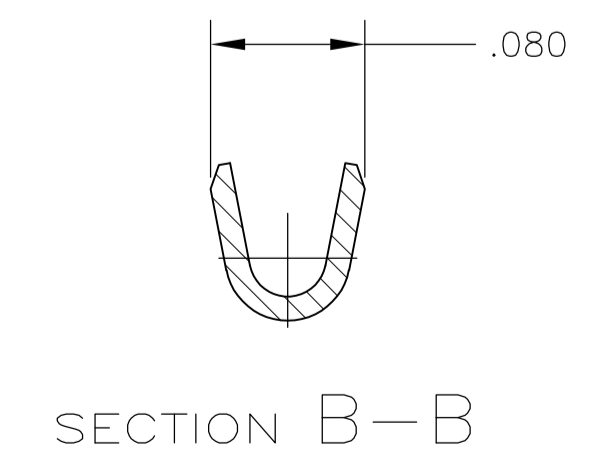
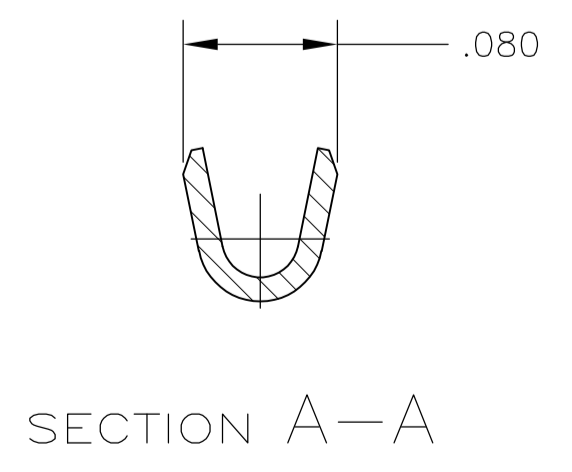
LOC		DIST		REVISIONS			
P	LTR	DESCRIPTION	DATE	DWN	APVD		
A		RELEASED	4-20-09	CT	JW		



STRIP



LOOSE PIECE



LOOSE PIECE	.040 - .055	24 - 22	MATTE-TIN OVER NICKEL	1757299-2
ON REEL	.040 - .055	24 - 22	MATTE-TIN OVER NICKEL	1757299-1
NOTES	INSULATION SIZE	WIRE SIZE	FINISH	PART NO.

THIS DRAWING IS A CONTROLLED DOCUMENT.

DIMENSIONS: INCHES	TOLERANCES UNLESS OTHERWISE SPECIFIED:	DIN C.C.THOMAS 4-20-09	Tyco Electronics Corporation Harrisburg, PA 17105-3608
0 PLC ± -	1 PLC ± -	2 PLC ± -	
3 PLC ± .010	4 PLC ± -	APVD J.WEAVER 4-20-09	Tyco Electronics
ANGLES ± -	FINISH SEE TABLE	NAME J.WEAVER 4-20-09	
MATERIAL BRASS #260; HARD	SEE TABLE	PRODUCT SPEC	TAPER PIN, 53 SERIES WITH INSULATION SUPPORT
		APPLICATION SPEC	WIRE RANGE 22 - 24, INSULATION RANGE .040-.055
		SIZE	A1
		WEIGHT	00779
		CUSTOMER DRAWING	1757299
		SCALE	10:1
		SHEET	1 OF 1
		REV	A