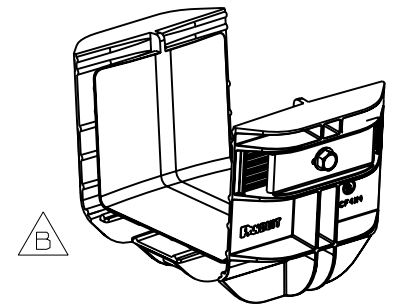
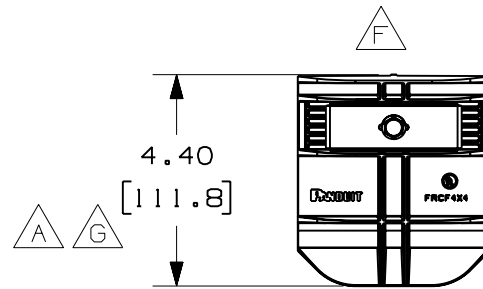
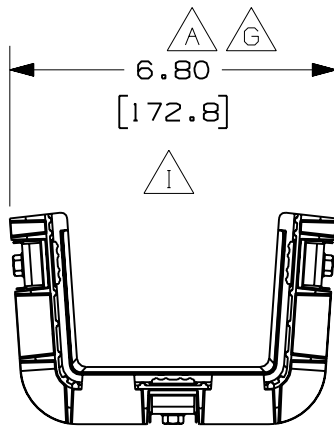
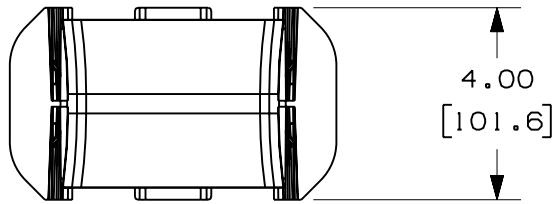


THIS COPY IS PROVIDED ON A RESTRICTED BASIS AND IS NOT TO BE USED IN ANY WAY DETRIMENTAL TO THE INTERESTS OF PANDUIT CORP.



PANDUIT PART NUMBER	WEIGHT
FRBC4X4	0.71 LB/EACH (322g/EACH)



**NOTES:**

1. SEE CURRENT CATALOG FOR ADDITIONAL PART SUFFIXES TO INDICATE COLOR AND/OR PACKAGE QUANTITY.
2. DIMENSIONS IN PARENTHESES ARE IN METRIC.

ENG. REF.: D37847CT\_DC\_FRBC4X4\_03.prt

CAD FILENAME/LAYERS D FRBC4X4.pdf

**PANDUIT** CORP TINLEY PARK, ILLINOIS  
**FIBERRUNNER 4x4 QUIKLOCK**  
**COUPLER (FRBC4X4)**  
 CUSTOMER DRAWING

UNLESS OTHERWISE SPECIFIED, DIMENSIONAL TOLERANCES ARE: (.X) ± (.XXX) ± (.XX) ± .03 (.8) ANGLES ±		UNLESS OTHERWISE SPECIFIED, ALL DIMENSIONS ARE GIVEN IN INCHES, THIRD ANGLE PROJECTION.	
DRAWN BY JHNU	MAT'L: H	SCALE NONE	DWG A
DATE 7-13-01	ABS AND STEEL	DRAWING NO. 37847-50	SIZE A
CHK'D DJWA			

REV	DATE	BY	CHK	DESCRIPTION	ECN	R	CUST	SUP	GMBH
-	-----	---	---	I. REMOVED DIMENSION H. REVISED MATERIAL	-----	--	--		
-	-----	---	---	G. RELOCATED DIMENSIONS F. ADDED RIGHT SIDE VIEW	-----	--	--		
3	7-10-06	DTP	RN	E. REVISED PART WEIGHT D. REVISED CAD FILENAME	37847-50	RN	RN		
2	1-9-04	JHNU	DJWA	C. REVISED WEIGHT B. REVISED PART GEOMETRY	37847-50	RN	RN		
1	10-1-01	JHNU	DJWA	A. REVISED PART GEOMETRY	37847-50	HIW	HIW		
R	7-13-01	JHNU	DJWA	RELEASED TO PRODUCTION	37847-50	HIW	HIW		