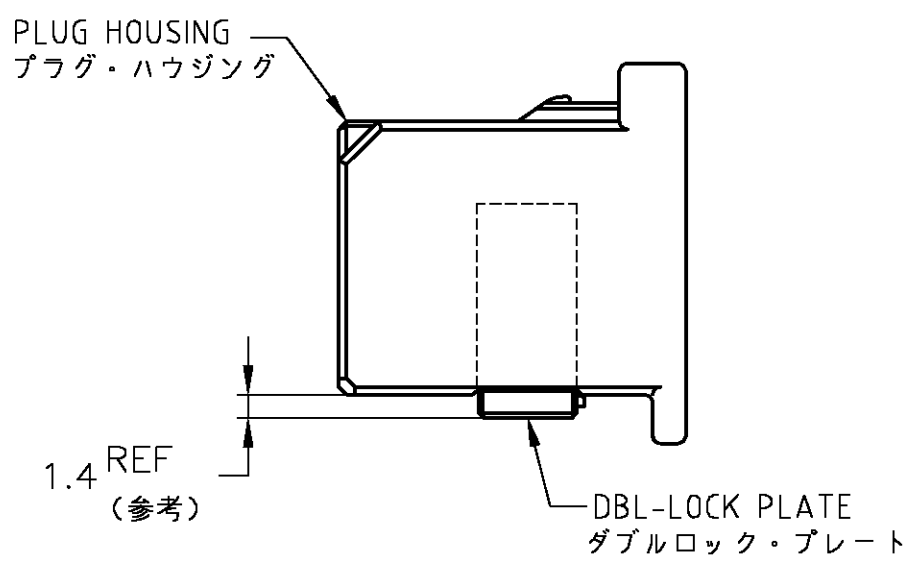
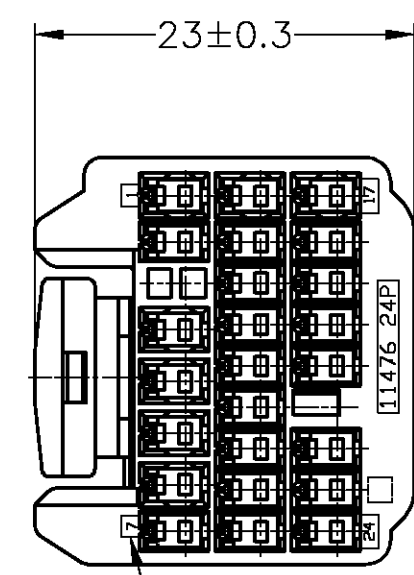
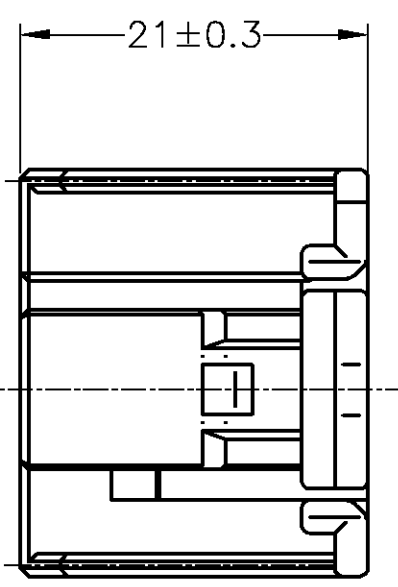
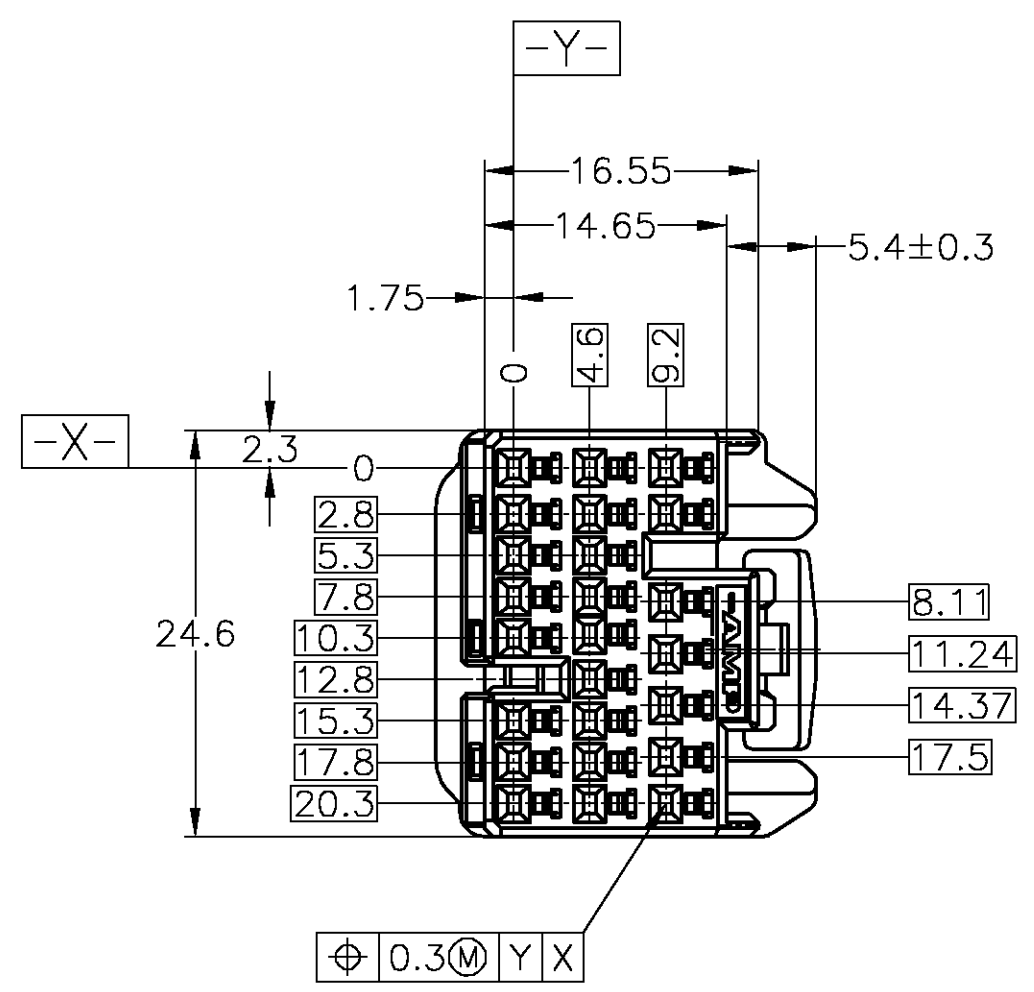


THIS DRAWING IS UNPUBLISHED. RELEASED FOR PUBLICATION
 © COPYRIGHT BY TYCO ELECTRONICS CORPORATION. ALL RIGHTS RESERVED.

| LOC | DIST | REVISIONS | | | | | |
|-----|------|-----------|---------|---------------|---------|-----|------|
| J | - | P | LTR | DESCRIPTION | DATE | DWN | APVD |
| | | B1 | REVISED | ECR-06-001254 | 22MAY06 | MS | KB |



1. PART NUMBER OF CAP HOUSINGS TO BE MATED: 353015, 353016
 2. DETAILS OF CAVITIES; SEE TABLE-1
1. 嵌合相手ハウジング型番; 353015, 353016
 2. キャビティ構成は、TABLE-1 参照

TABLE-1

| CAVITY キャビティ | POSITION 極数 | CIRCUIT NUMBER 回路番号 | APPLIED CONTACT PART NUMBER 適用端子型番 | APPLICABLE WIRE RANGE 適用電線 |
|-----------------|----------------|------------------------|--|---|
| | 17 | 2,7 9~16 18~24 | 316836, 316837 | AVSS/CAVS 0.3~0.5mm ² CAVUS 0.3~0.5mm ² |
| | 7 | 1, 3~6, 8,17 | 316836, 316837 316838 | AVS 0.5mm ² AVSS/CAVS 0.85~1.25mm ² CAVUS 1.25mm ² |

| | |
|----------------------|------------------|
| SEE DRAWING 353029-3 | 353029-3 |
| BLACK (黒) | 353029-2 |
| NATURAL (自然色) | 353029-1 |
| COLOR (色) | PART NUMBER (型番) |

TOLERANCES UNLESS OTHERWISE SPECIFIED: 一般公差

| | |
|------------------|--------------|
| 10 _± | : ±0.2 |
| 30 _± | > 10 : ±0.25 |
| 100 _± | > 30 : ±0.3 |
| ANGLE | : ±3° |

THIS DRAWING IS A CONTROLLED DOCUMENT.

| | | | | | | | | | | | | | | | |
|----------------------------|--|--|--|----|-------|----|-------|----|-------|----|-------|----|--------|----|-------------------------------|
| DIMENSIONS: 単位: 耗 mm | TOLERANCES UNLESS OTHERWISE SPECIFIED: 一般公差 | DWN M.SUGAWARA 22MAY06 | Tyco Electronics AMP K.K. Kawasaki, Japan | | | | | | | | | | | | |
| | <table border="1"> <tr> <td>0 PLC</td> <td>±-</td> </tr> <tr> <td>1 PLC</td> <td>±-</td> </tr> <tr> <td>2 PLC</td> <td>±-</td> </tr> <tr> <td>3 PLC</td> <td>±-</td> </tr> <tr> <td>4 PLC</td> <td>±-</td> </tr> <tr> <td>ANGLES</td> <td>±-</td> </tr> </table> | 0 PLC | | ±- | 1 PLC | ±- | 2 PLC | ±- | 3 PLC | ±- | 4 PLC | ±- | ANGLES | ±- | CHK T.SHINOHARA 22MAY06 |
| | | 0 PLC | | ±- | | | | | | | | | | | |
| | | 1 PLC | | ±- | | | | | | | | | | | |
| 2 PLC | ±- | | | | | | | | | | | | | | |
| 3 PLC | ±- | | | | | | | | | | | | | | |
| 4 PLC | ±- | | | | | | | | | | | | | | |
| ANGLES | ±- | | | | | | | | | | | | | | |
| MATERIAL 材料 PBT | FINISH 仕上 - | APVD K.BETSUI 22MAY06 | | | | | | | | | | | | | |
| CUSTOMER DRAWING | | PRODUCT SPEC 製品規格 108-5529 | NAME 名称 040 III HIGH DENSITY CONNECTOR 24POSITION PLUG HOUSING ASSY | | | | | | | | | | | | |
| | | APPLICATION SPEC 取付適用規格 114-5217 | SIZE A3 | | | | | | | | | | | | |
| | | WEIGHT 5.41g | CAGE CODE 00779 | | | | | | | | | | | | |
| | | | DRAWING NO 番号 C-353029 | | | | | | | | | | | | |
| | | | RESTRICTED TO - | | | | | | | | | | | | |
| | | | SCALE 尺度 2:1 | | | | | | | | | | | | |
| | | | SHEET 1 OF 1 | | | | | | | | | | | | |
| | | | REV B1 | | | | | | | | | | | | |