

DETAILS

| | |
|------------------------|-------------------|
| Product Number | FCN14661_STELLA-A |
| Family | STELLA |
| Type | Pack |
| Color | black |
| Diameter | 90 mm |
| Height | 22 mm |
| Style | round |
| Optic Material | Silicone |
| Holder Material | |
| Fastening | |
| Status | production ready |
| ROHS Compliant | Yes |
| Date Updated | 5/04/2016 |

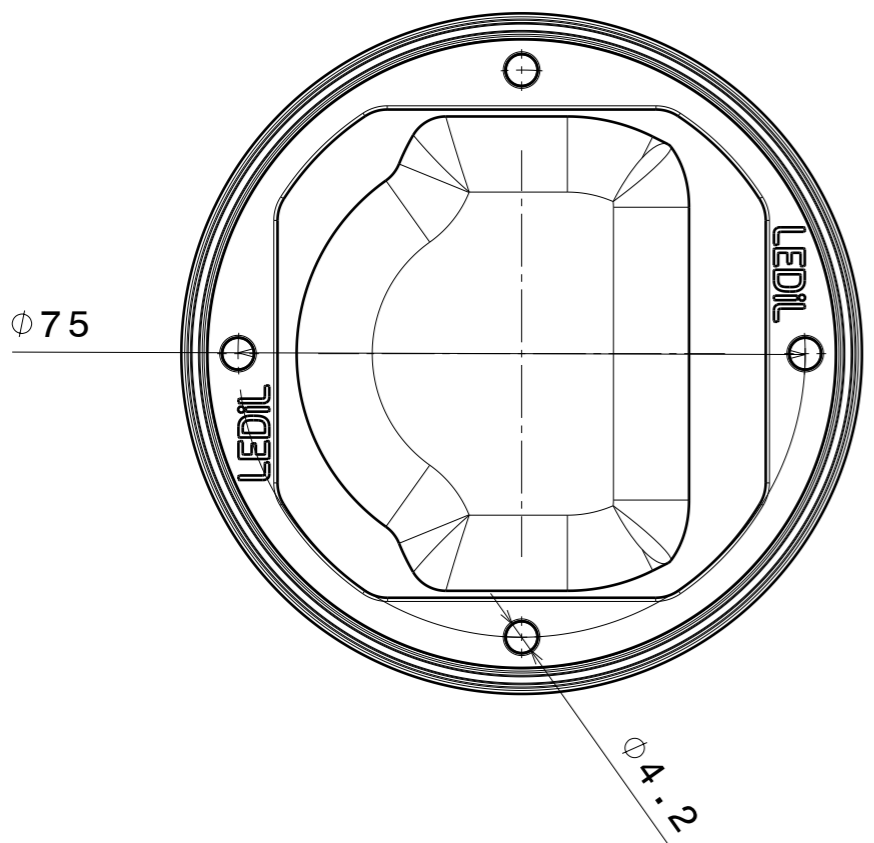
OPTICAL PROPERTIES

| LED | Viewing | Light | Efficiency | cd/lm | Connector |
|------------------------------------|----------------|------------|------------|-------|-----------|
| | Angle | Beam | | | |
| CXA/B 1816 & CXA/B 1820 & CXA 1850 | Asymmetric deg | Asymmetric | 91 % | 0.732 | - |
| CXA/B 15xx | Asymmetric deg | Asymmetric | 91 % | 1.030 | - |



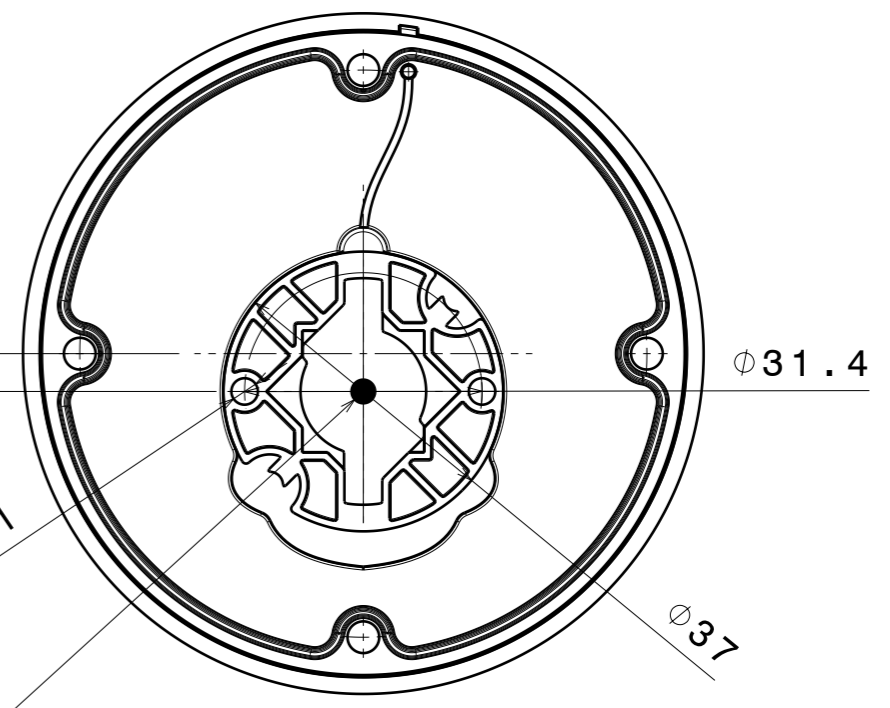
H G F E D C B A

NOTES:
 A very thin layer of thermal interface material recommended during COB assembly.
 Maximum recommended tightening torque for STELLA-FRAME is 0,4Nm

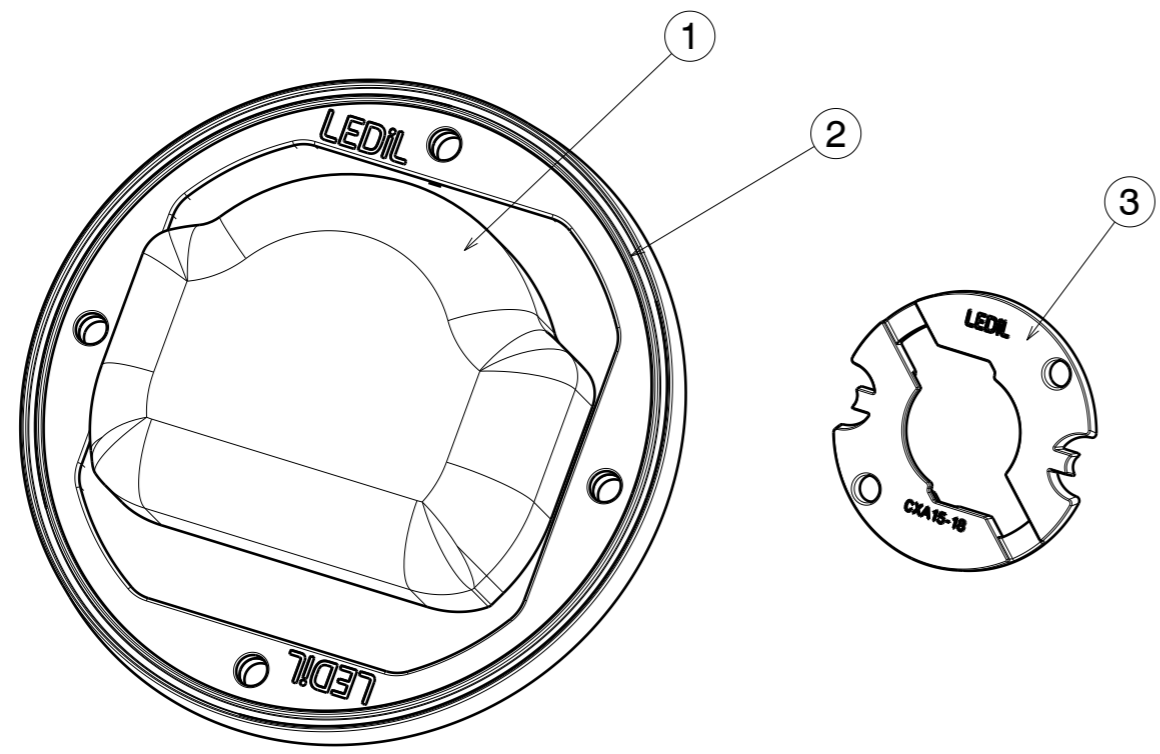
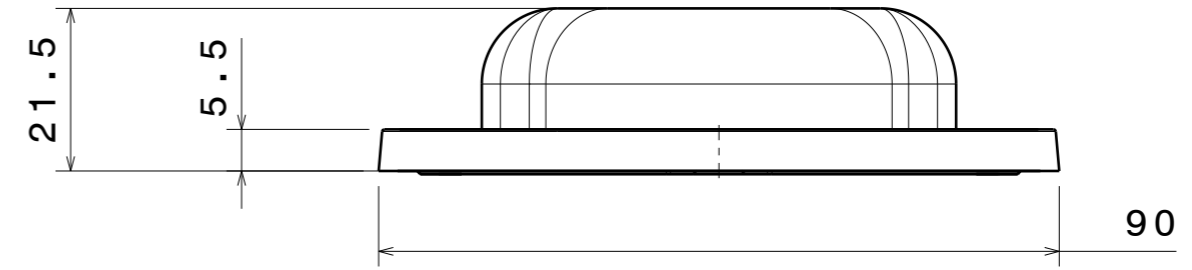


LED position offset from lens center

5



LED position



| INDEX | PART NO | DESCRIPTION | MATERIAL | COLOUR |
|-------|---------|-----------------------|------------------|--------|
| 1 | F13321 | STELLA-A | Optical silicone | clear |
| 2 | F13322 | STELLA-FRAME | PA | black |
| 3 | C14305 | STELLA-CLAMP-CXA15-18 | PC | white |

Tolerances if not otherwise shown
 According to DIN ISO 2768-1
 Linear measures: class V
 Please note that due to the elasticity of products made of silicone actual measured values may vary, and therefore typical tolerance values may not be applied.

LEDiL LediL Oy
 Salorankatu 10
 FIN 24240 SALO
 Finland

THIRD ANGLE PROJECTION:

DRAWING TITLE
FCN14661_STELLA-A

This drawing is the property of LEDiL Oy. It may not be reproduced, copied or communicated without a written agreement with LEDiL Oy.

SIZE PART NUMBER
A3 FCN14661

SCALE 1:1 WEIGHT 60,4 g SHEET 1/1

H G B A

NOTE: The typical divergence will be changed by different color, chip size and chip position tolerance. The typical total divergence is the full angle measured where the luminous intensity is half of the peak value.

GENERAL INFORMATION

- Product series especially designed & optimized for series of LEDs.
- Special care taken to make light distribution as uniform as possible.

Note! Due to use of high power COB's with this product, special attention to proper thermal design is highly recommended. LEDiL has no liability for direct, indirect or consecutive damages arising from the LEDiL products being used outside of the recommended temperature range.